

EPIC® H-B 10 TS-RO

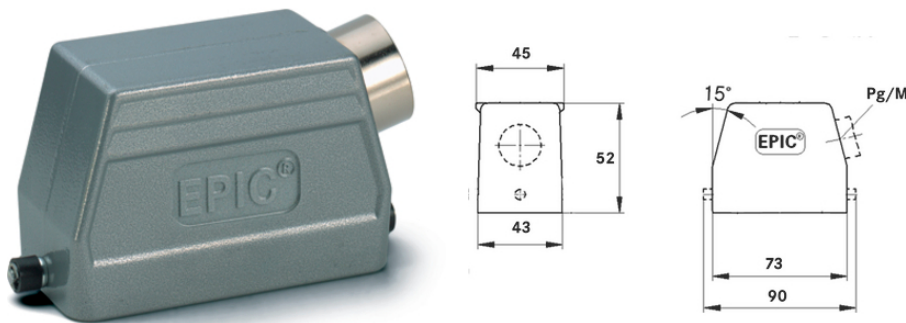
Housing design H-B. The industry standard.






The low connector housing with a side cable entry is suitable for use in lighting and sound systems.

Info

Non-slip ridges for comfortable disconnecting

Protection rating UL50E tested



-  Supplementary automation components from Lapp
-  Mechanical and plant engineering
-  Mechanical resistance
-  Robust
-  Waterproof

Benefits

The smallest housing with single and double lever. The right housing is available for every application

Application range

Plant engineering
Light & sound technology
Plastics industry

Product features

Hood, low version

Last Update (19.12.2024)

©2024 Lapp Group - Technical changes reserved

Product Management www.lappkabel.de

You can find the current technical data in the corresponding data sheet.

PN 0456 / 02_03.16

EPIC® H-B 10 TS-RO

Reels for single lever
Side cable entry
Versions with neck

Technical Data

Classification ETIM 5:	ETIM 5.0 Class-ID: EC000437 ETIM 5.0 Class-Description: Housing for industrial connectors
Classification ETIM 6:	ETIM 6.0 Class-ID: EC000437 ETIM 6.0 Class-Description: Housing for industrial connectors
Material:	Housing: powder-coated aluminium alloy, grey Lever: zinc-plated steel Sealing: NBR
Protection rating:	IP 65 (latched) NEMA 250, UL50E: 12 (latched)
VDE-tested:	Certified production control: VDE-REG. no.: B437 UL-tested: UL File Number: E75770
Temperature range:	-40°C to +100°C, short-term up to +125°C

Note

Photographs and graphics are not to scale and do not represent detailed images of the respective products.
Prices are net prices without VAT and surcharges. Sale to business customers only.



EPIC® H-B 10 TS-RO

Article number	Article description	M	PG	Neck	Packaging unit
H-B housing: hood (side cable entry, bolts for single lever)					
10042900	H-B 10 TS-RO 16	-	16	yes	10
10042800	H-B 10 TS-RO 21	-	21	yes	10
19042900	H-B 10 TS-RO M20	20	-	yes	10
19042800	H-B 10 TS-RO M25	25	-	yes	10

Last Update (19.12.2024)

©2024 Lapp Group - Technical changes reserved

Product Management www.lappkabel.de

You can find the current technical data in the corresponding data sheet.
PN 0456 / 02_03_16