

## EPIC® H-B 24 SGRL

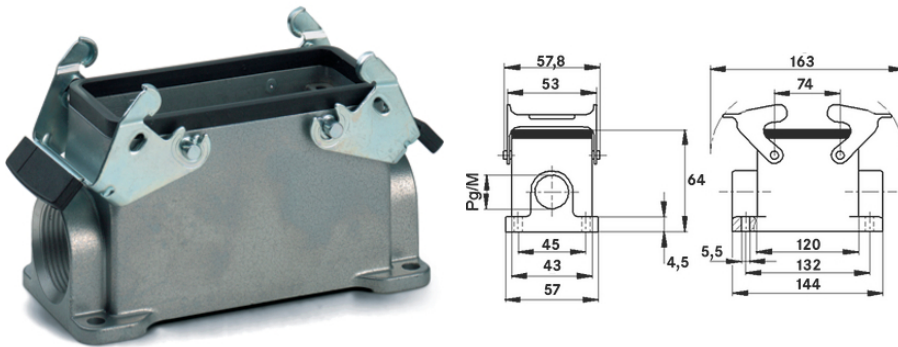
Housing design H-B. The industry standard.

The universal metal housing with 2 double levers and 2 cable entries can be used, for example, in investment construction or the plastics industry.

### Info

Double lever version with 2 levers for increased safety

Protection rating UL50E tested



Supplementary automation components from Lapp



Mechanical and plant engineering



Mechanical resistance



Robust



Waterproof

### Benefits

Safe fixing with 4 screws

Casted neck for easy assembly of the cable gland

### Application range

Plant engineering

Light & sound technology

Plastics industry

Last Update (23.03.2025)

©2025 Lapp Group - Technical changes reserved

Product Management [www.lappkabel.de](http://www.lappkabel.de)

You can find the current technical data in the corresponding data sheet.

PN 0456 / 02\_03.16

## EPIC® H-B 24 SGRL

### Product features

Surface-mount base, low version  
Dual levers  
2 cable entries

### Technical Data

Classification ETIM 5:	ETIM 5.0 Class-ID: EC000437 ETIM 5.0 Class-Description: Housing for industrial connectors
Classification ETIM 6:	ETIM 6.0 Class-ID: EC000437 ETIM 6.0 Class-Description: Housing for industrial connectors
Material:	Housing: powder-coated aluminium alloy, grey Lever: zinc-plated steel Sealing: NBR
Protection rating:	IP 65 (latched) NEMA 250, UL50E: 12, 4 (latched)
VDE-tested:	Certified production control: VDE-REG. no.: B437 UL-tested: UL File Number: E75770
Temperature range:	-40°C to +100°C, short-term up to +125°C

### Note

Photographs and graphics are not to scale and do not represent detailed images of the respective products.  
Prices are net prices without VAT and surcharges. Sale to business customers only.



## EPIC® H-B 24 SGRL

Article number	Article description	M	PG	Packaging unit
H-B housing: surface-mount base (2 cable entries, double lever)				
10105000	H-B 24 SGRL 21	-	21	5
19105000	H-B 24 SGRL M25	25	-	5

Last Update (23.03.2025)

©2025 Lapp Group - Technical changes reserved

Product Management [www.lappkabel.de](http://www.lappkabel.de)

You can find the current technical data in the corresponding data sheet.

PN 0456 / 02\_03\_16