

EPIC® H-B 24 TS

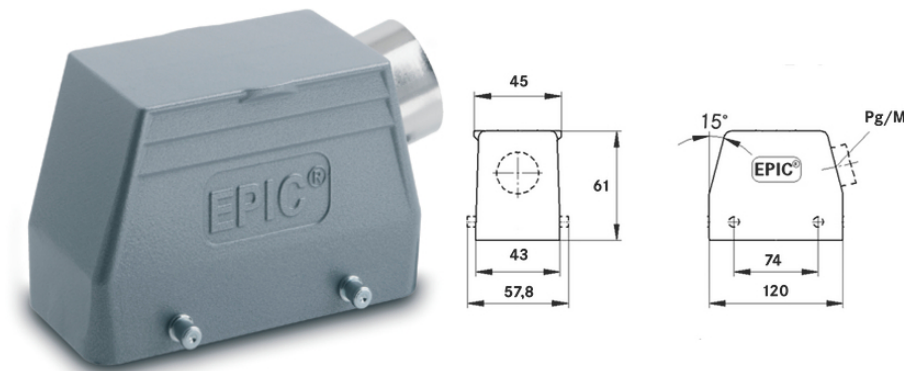
Housing design H-B. The industry standard.

The robust connector housing can withstand temperatures of up to +125 degrees for a short period and is suitable for use in the plastics industry.

Info

Non-slip ridges for comfortable disconnecting

Protection rating UL50E tested



Supplementary automation components from Lapp



Mechanical and plant engineering



Mechanical resistance



Robust



Waterproof

Benefits

Ideal for many applications due to a wide range of housings and inserts

Application range

Plant engineering

Light & sound technology

Plastics industry

Product features

Last Update (05.04.2025)

©2025 Lapp Group - Technical changes reserved

Product Management www.lappkabel.de

You can find the current technical data in the corresponding data sheet.

PN 0456 / 02_03.16

EPIC® H-B 24 TS

Hood, low version
Bolts for double lever
Side cable entry
Versions with neck

Technical Data

Classification ETIM 5:	ETIM 5.0 Class-ID: EC000437 ETIM 5.0 Class-Description: Housing for industrial connectors
Classification ETIM 6:	ETIM 6.0 Class-ID: EC000437 ETIM 6.0 Class-Description: Housing for industrial connectors
Material:	Housing: powder-coated aluminium alloy, grey Lever: zinc-plated steel Sealing: NBR
Protection rating:	IP 65 (latched) NEMA 250, UL50E: 12, 4 (latched)
VDE-tested:	Certified production control: VDE-REG. no.: B437 UL-tested: UL File Number: E75770
Temperature range:	-40°C to +100°C, short-term up to +125°C

Note

Photographs and graphics are not to scale and do not represent detailed images of the respective products.
Prices are net prices without VAT and surcharges. Sale to business customers only.



EPIC® H-B 24 TS

Article number	Article description	M	PG	Neck	Packaging unit
H-B housing: hood (side cable entry, bolts for double lever)					
10113000	H-B 24 TS 21	-	21	yes	5
10123000	H-B 24 TS 29	-	29	yes	5
19113000	H-B 24 TS M25	25	-	yes	5
19123000	H-B 24 TS M32	32	-	yes	5

Last Update (05.04.2025)

©2025 Lapp Group - Technical changes reserved

Product Management www.lappkabel.de

You can find the current technical data in the corresponding data sheet.
PN 0456 / 02_03_16