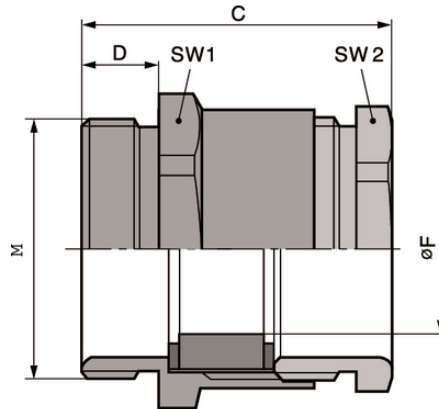


SKINDICHT® SVF-M

SKINDICHT® SVF-M, flat cable gland with automatically fitting lateral sealing lips, optimum strain relief



Wide clamping range



Maximum vibration protection



Assembly time

Benefits

- Lateral sealing lips fit automatically around various cable dimensions
- Cable-specific seal dimensions are no longer necessary
- Large opening allows clamping of up to two flat cables
- Optimum strain relief
- Tolerance

Application range

- For inserting flat cables
- Control cabinet manufacturing
- Conveyor systems
- Pumps
- Lifts

Product Make-up

- Metric connection thread acc. to DIN EN 60423
- Basis for technical information DIN IEC 62444

Note

- For suitable flat cables, refer to ÖLFLEX® LIFT F for indoor applications or ÖLFLEX® CRANE F for outdoor applications
- Counter nut to be used: SKINDICHT® SM-M

Last Update (28.03.2025)

©2025 Lapp Group - Technical changes reserved

Product Management www.lappkabel.de

You can find the current technical data in the corresponding data sheet.

PN 0456 / 02_03.16

SKINDICHT® SVF-M

Technical Data

Classification ETIM 5:	ETIM 5.0 Class-ID: EC000441 ETIM 5.0 Class-Description: Cable screw gland
Classification ETIM 6:	ETIM 6.0 Class-ID: EC000441 ETIM 6.0 Class-Description: Cable screw gland
Caution:	The installation dimensions can be found in appendix T21
Material:	Body: nickel-plated brass Special sealing insert: CR
Protection rating:	IP 54
Temperature range:	-30 °C to +100 °C

Note

Photographs and graphics are not to scale and do not represent detailed images of the respective products.
Prices are net prices without VAT and surcharges. Sale to business customers only.

SKINDICHT® SVF-M

Article number	Article designation / size	Min./max. flat cable width	Function thread PG	Cable thickness min. / max. mm	Overall length C mm	Thread length D mm	Pieces / PU
SKINDICHT® SVF-M							
52107320	M 20 x 1,5	- / 15	16	- / 5.0	27.0	6	25
52107340	M 25 x 1,5	9.0 / 20	21	3.0 / 8.0	30.5	7	25
52107350	M 32 x 1,5	14.0 / 27	29	4.0 / 11.5	32.0	8	10
52107360	M 40 x 1,5	24.0 / 34	36	4.0 / 11.5	35.0	8	10
52107370	M 50 x 1,5	29.0 / 44	42	5.0 / 12.0	40.0	9	5
52107380	M 63 x 1,5	34.0 / 50	48	5.0 / 12.0	42.0	10	5

Last Update (28.03.2025)

©2025 Lapp Group - Technical changes reserved

Product Management www.lappkabel.deYou can find the current technical data in the corresponding data sheet.
PN 0456 / 02_03_16