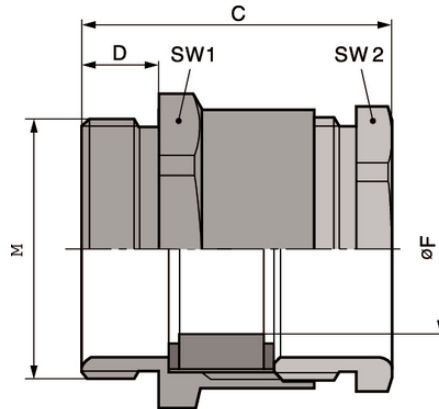


## SKINDICHT® SVFK-M

SKINDICHT® SVFK-M, metric polyamide flat cable glands with tolerance, clamping of two flat cables



Wide clamping range



Maximum vibration protection



Assembly time

### Benefits

Economical type

Lateral sealing lips fit automatically around various cable dimensions

Cable-specific seal dimensions are no longer necessary

Tolerance

Large opening allows clamping of up to two flat cables

### Application range

For inserting flat cables

Conveyor systems

Pumps

Lifts

Control cabinet manufacturing

### Product Make-up

Metric connection thread acc. to DIN EN 60423

Basis for technical information DIN IEC 62444

### Note

For suitable flat cables, refer to ÖLFLEX® LIFT F for indoor applications or ÖLFLEX® CRANE F for outdoor applications

Counter nut to be used: SKINTOP® GMP-GL-M

Last Update (20.12.2024)

©2024 Lapp Group - Technical changes reserved

Product Management [www.lappkabel.de](http://www.lappkabel.de)

You can find the current technical data in the corresponding data sheet.

PN 0456 / 02\_03.16

## SKINDICHT® SVFK-M

### Technical Data

Classification ETIM 5:	ETIM 5.0 Class-ID: EC000441 ETIM 5.0 Class-Description: Cable screw gland
Classification ETIM 6:	ETIM 6.0 Class-ID: EC000441 ETIM 6.0 Class-Description: Cable screw gland
Caution:	The installation dimensions can be found in appendix T21
Colour delivered:	Light grey (RAL 7035)
Material:	Body: Polyamide Special sealing insert: CR
Protection rating:	IP 54
Temperature range:	-30°C to +80°C

### Note

Photographs and graphics are not to scale and do not represent detailed images of the respective products. Prices are net prices without VAT and surcharges. Sale to business customers only.



**SKINDICHT® SVFK-M**

Article number	Article designation / size	Min./max. flat cable width	Cable thickness min. / max. mm	SW1/SW2 mm	Overall length C mm	Thread length D mm	Pieces / PU
SKINDICHT® SVFK-M							
52107900	M 25 x 1,5	- / 15	- - 5.0	27.0 / 23.0	41.0	11	25
52107901	M 32 x 1,5	10.0 / 21	3.0 - 8.0	36.0 / 30.0	39.0	10	25
52107902	M 40 x 1,5	16.0 / 28	4.0 - 11.5	42.0 / 40.0	44.0	11	25
52107903	M 50 x 1,5	26.0 / 35	4.0 - 11.5	53.0 / 50.0	50.5	11	5
52107904	M 50 x 1,5	30.0 / 40	5.0 - 12.0	60.0 / 55.0	53.5	11	5
52107905	M 63 x 1,5	36.0 / 45	5.0 - 12.0	65.0 / 60.0	54.5	11	5

Last Update (20.12.2024)

©2024 Lapp Group - Technical changes reserved

Product Management [www.lappkabel.de](http://www.lappkabel.de)

You can find the current technical data in the corresponding data sheet.

PN 0456 / 02\_03\_16