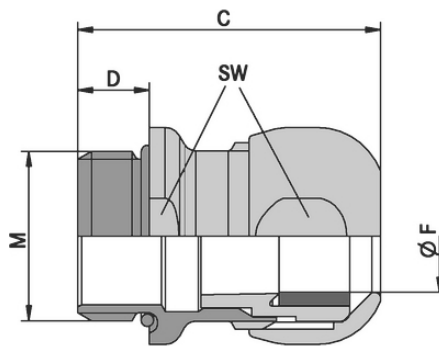


## SKINTOP® INOX / SKINTOP® INOX-R

SKINTOP® INOX / SKINTOP® INOX-R, corrosion-resistant stainless steel cable gland with smooth surfaces, compact design, sea water-resistant

### Info

Stainless steel version with compact design  
For use in the splash zone in the food production



Food & Beverage



Suitable for outdoor use



Good chemical resistance



Wide clamping range



Halogen-free



Mechanical resistance



Temperature-resistant

### Benefits

- Corrosion-resistant
- Sea water-resistant
- Smooth surfaces - no edges
- Compact design
- Wide, variable clamping ranges

Last Update (25.03.2025)

©2025 Lapp Group - Technical changes reserved

Product Management [www.lappkabel.de](http://www.lappkabel.de)

You can find the current technical data in the corresponding data sheet.

PN 0456 / 02\_03.16

## SKINTOP® INOX / SKINTOP® INOX-R

### Application range

Onshore and offshore applications  
Bottling plants and breweries  
Food industry (product-free zone, splash zone)

### Norm references / Approvals

ECOLAB®  
Industry standard in the field of professional cleaning and disinfection in the food and beverage industry  
DIN EN 1672-2  
Guideline for the design of machinery  
DIN EN ISO 14159  
Security of machinery – Hygienic requirements for the design of machinery  
NSF/ANSI 169  
Hygienic design for machinery and components

### Product Make-up

Metric connection thread acc. to DIN EN 60423  
Basis for technical information DIN IEC 62444

### Technical Data

Classification ETIM 5:	ETIM 5.0 Class-ID: EC000441 ETIM 5.0 Class-Description: Cable screw gland
Classification ETIM 6:	ETIM 6.0 Class-ID: EC000441 ETIM 6.0 Class-Description: Cable screw gland
Material:	Body: stainless steel V4A (1.4404 / 316L) Insert: polyamide Sealing: silicone O-Ring: silicone Halogen-free
Protection rating:	IP 68 - 10 bar (M12 - M20) IP 68 - 5 bar (M25 - M50) IP 69 NEMA Type 1, 2, 4x, 6, 12
Temperature range:	-40°C to +100°C

### Note

Photographs and graphics are not to scale and do not represent detailed images of the respective products.  
Prices are net prices without VAT and surcharges. Sale to business customers only.

**SKINTOP® INOX / SKINTOP® INOX-R**

Article number	Article designation / size	Ø F mm	SW wrench size mm	Overall length C mm	Thread length D mm	Pieces / PU
<b>SKINTOP® INOX</b>						
53806739	M 12 x 1,5	4 - 7	16	29.3	6.5	5
53806740	M 16 x 1,5	6 - 10	20	32.4	7	5
53806741	M 20 x 1,5	7 - 13	24	35.5	8	5
53806742	M 25 x 1,5	9 - 17	29	39.2	8	5
53806743	M 32 x 1,5	11 - 21	36	44.6	9	5
53806744	M 40 x 1,5	19 - 28	45	51.2	9	5
53806745	M 50 x 1,5	27 - 35	54	56.2	10	5
<b>SKINTOP® INOX-R</b>						
53806749	M 12 x 1,5	3 - 5	16	29.3	6.5	5
53806750	M 16 x 1,5	5 - 7	20	32.4	7	5
53806751	M 20 x 1,5	6 - 10	24	35.5	8	5
53806752	M 25 x 1,5	7 - 13	29	39.2	8	5
53806753	M 32 x 1,5	8 - 15	36	44.6	9	5
53806754	M 40 x 1,5	15 - 23	45	51.2	9	5
53806755	M 50 x 1,5	22 - 29	54	56.2	10	5

Last Update (25.03.2025)

©2025 Lapp Group - Technical changes reserved

 Product Management [www.lappkabel.de](http://www.lappkabel.de)

You can find the current technical data in the corresponding data sheet.

PN 0456 / 02\_03\_16