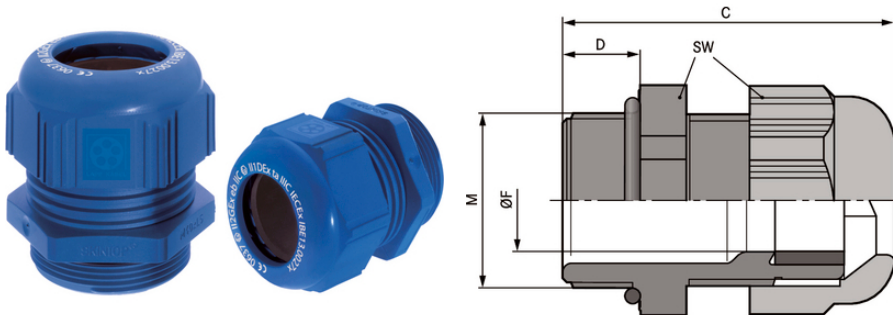


SKINTOP® K-M ATEX plus blue

SKINTOP® K-M ATEX plus blue, metric plastic cable gland with high degree of protection for intrinsically safe circuits, explosion-proof



Oil & Gas



Mechanical resistance



Optimum strain relief



Reliability



Variety of approval certifications

Benefits

High degree of protection

Cold impact resistance

High strain relief

Wide, variable clamping ranges

Permanent vibration protection

Application range

Intrinsically safe circuits (class "i") as well as in housings and devices that require class "e" safety.

Equipment group II / Category 2G+1D

For mobile applications in offshore and marine industries

Chemical and petrochemical industry

Product Make-up

Metric connection thread acc. to DIN EN 60423

Last Update (18.12.2024)

©2024 Lapp Group - Technical changes reserved

Product Management www.lappkabel.de

You can find the current technical data in the corresponding data sheet.

PN 0456 / 02_03.16

SKINTOP® K-M ATEX plus blue

Basis for technical information DIN IEC 62444

Technical Data

Classification ETIM 5:	ETIM 5.0 Class-ID: EC000441 ETIM 5.0 Class-Description: Cable screw gland
Classification ETIM 6:	ETIM 6.0 Class-ID: EC000441 ETIM 6.0 Class-Description: Cable screw gland
Caution:	Refer to the instruction leaflet for the installation dimensions and torques
Certifications:	CE 0637 Ex II 2G Ex eb IIC Ex II 1D Ex ta IIIC IECEX IBE 13.0027X
Colour delivered:	Blue (RAL 5015)
Material:	Body: special polyamide Seal: special elastomer O-ring: NBR
Tests:	DIN EN 60079-0 DIN EN 60079-7 DIN EN 60079-31
Protection rating:	IP 68 - 10 bar
Temperature range:	-20°C to +80°C

Note

Photographs and graphics are not to scale and do not represent detailed images of the respective products. Prices are net prices without VAT and surcharges. Sale to business customers only.

**SKINTOP® K-M ATEX plus blue**

Article number	Article designation / size	Clamping range ØF mm	Thread M	SW wrench size mm	Overall length C mm	Thread length D mm	Pieces / PU
SKINTOP® K-M ATEX plus blue							
54115400	K-M 12 ATEX plus blue	3 - 5.5	12 x 1.5	15	30	8	50
54115410	K-M 16 ATEX plus blue	7 - 9	16 x 1.5	19	34	8	50
54115420	K-M 20 ATEX plus blue	7 - 13	20 x 1.5	25	38	9	50
54115430	K-M 25 ATEX plus blue	11 - 17	25 x 1.5	30	40	10	25
54115440	K-M 32 ATEX plus blue	12 - 21	32 x 1.5	36	47	10	25
54115450	K-M 40 ATEX plus blue	19 - 28	40 x 1.5	46	52	10	10
54115460	K-M 50 ATEX plus blue	27 - 35	50 x 1.5	55	62	12	5
54115470	K-M 63 ATEX plus blue	37 - 45	63 x 1.5	66	71	12	5

Last Update (18.12.2024)

©2024 Lapp Group - Technical changes reserved

Product Management www.lappkabel.deYou can find the current technical data in the corresponding data sheet.
PN 0456 / 02_03_16