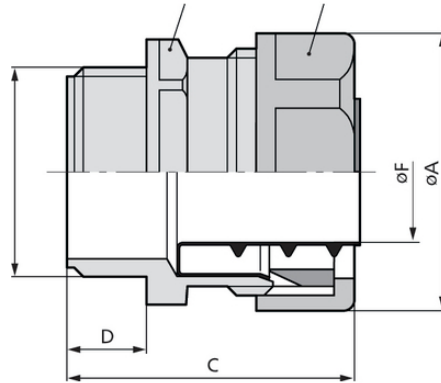
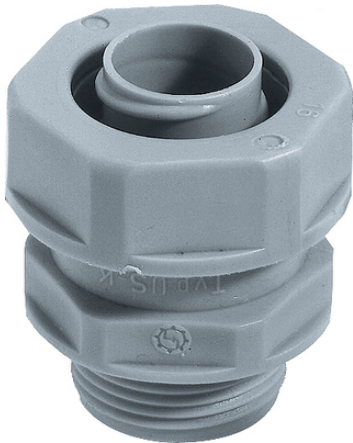


SILVYN® USK-M

SILVYN® USK-M - metric threaded conduit fitting



Maximum vibration protection



Assembly time

Benefits

Fast and easy assembly
Vibration protection
No extra parts necessary

Application range

In combination with protective conduit:
SILVYN® FPS/ FD-PU
SILVYN® SP/SP-PU
Indoor applications
Light mechanical stress

Product features

Large wrench sizes

Product Make-up

Metric connection thread
Hexagonal collar
Threaded sleeve
Cap nut

Note

Included: SILVYN® EE-K inner sleeve

Last Update (20.02.2025)

©2025 Lapp Group - Technical changes reserved

Product Management www.lappkabel.de

You can find the current technical data in the corresponding data sheet.

PN 0456 / 02_03.16

SILVYN® USK-M**Technical Data**

Classification ETIM 5:	ETIM 5.0 Class-ID: EC001178 ETIM 5.0 Class-Description: Screw connection for protective plastic hose
Classification ETIM 6:	ETIM 6.0 Class-ID: EC001178 ETIM 6.0 Class-Description: Screw connection for protective plastic hose
Colour delivered:	Silver grey (RAL 7001)
Material:	PP
Protection rating:	IP 54
Temperature range:	-10°C to +110°C

Note

Photographs and graphics are not to scale and do not represent detailed images of the respective products.
Prices are net prices without VAT and surcharges. Sale to business customers only.



SILVYN® USK-M

Article number	Metric size	SW 1/2 mm	Overall length mm	Thread length mm	Clear opening (mm)	Suitable for SILVYN® FD-PU/FPS	Suitable for SILVYN® SP	Suitable for SILVYN® SP-PU	Pieces / PU
SILVYN® USK-M									
55501300	10 x 1.0	16.0 / 18.0	40	10	6	7 x 10	-	-	50
55501310	12 x 1.5	21.0 / 23.0	43	12	8	10 x 14	10 x 14	10 x 14	50
55501320	16 x 1.5	24.0 / 27.0	43	12	11	13 x 17	12 x 16	12 x 16	50
55501330	20 x 1.5	29.0 / 32.0	44	13	15	16 x 21	16 x 20	16 x 20	50
55501340	25 x 1.5	36.0 / 40.0	50	13	20	22 x 27	22 x 27	22 x 27	25
55501350	32 x 1.5	45.0 / 49.0	51	15	27	29 x 36	30 x 36	30 x 36	25
55501360	40 x 1.5	54.0 / 58.0	51	15	35	38 x 45	38 x 44	38 x 44	25
55501370	50 x 1.5	66.0 / 70.0	58	16	44.5	48 x 56	49 x 56	-	10

Last Update (20.02.2025)

©2025 Lapp Group - Technical changes reserved

Product Management www.lappkabel.de

You can find the current technical data in the corresponding data sheet.

PN 0456 / 02_03_16