


| | | |
|---------------------------|----------------------------|---|
| 21700601 | DATA SHEET |  |
| Valid from: 09.02.2019 | ED-IE-AX-6A-B-20-FC | |

Product description

- Field mountable Industrial Ethernet RJ45 connector with color coding acc. to T568B
- Connector acc. to IEC 60603-7-51
- Suitable for industrial applications, structured cabling for office building applications, data centers and home networks



General properties

| | |
|--|-------------------|
| Ambient temperature | -40 to +85 °C |
| Protection degree | IP 20 |
| Outer diameter, cable | 5.0 – 9.0 mm |
| Outer diameter, wire | 1.0 – 1.6 mm |
| Termination cross section, stranded, 7 wires | AWG27/7 – AWG22/7 |
| Termination cross section, solid | AWG24/1 – AWG22/1 |

Mechanical properties

| | |
|--|--------|
| Insertion force | ≤ 30 N |
| Mating cycles | ≥ 750 |
| Cable extraction force (assembled connector) | ≥ 50 N |

Electrical properties

| | |
|--|--------------|
| Contact resistance | ≤ 20 mΩ |
| Insulation resistance | ≥ 500 MΩ |
| Proof voltage, contact-contact | ≥ 1000 V, DC |
| Proof voltage, contact-shield | ≥ 1500 V, DC |
| Current carrying capacity at 50 °C | 1 A |
| Suitable for Power over Ethernet+ acc. to IEEE 802.3at:2009 | yes |

Transmission properties

| | |
|---|-------------------------------|
| Suitable for 10 Gigabit Ethernet acc. to IEEE 802.3an | yes |
| Category 6 _A | ISO/IEC 11801; DIN EN 50173-1 |
| Class E _A | ISO/IEC 11801; DIN EN 50173-1 |
| Category 6A | ANSI/TIA/EIA-568-C.2 |


Materials

| | |
|----------------------------------|---------------|
| Connector housing, base material | die-cast zinc |
| Connector housing, surface | Ni |
| Contacts, surface | Au |

Standards

| | |
|-----------------------|---|
| Product standard | RJ45 connector acc. to IEC 60603-7-51 ANSI/TIA/EIA-568-C.2 |
| Generic cable systems | ISO/IEC 11801 DIN EN 50173-1 |

| | | |
|---|---------------------------------------|-------------|
| Creator: MANA2/PDP Released: IVSE1/PDP | Document: DB21700601EN Version: 03 | Page 1 of 2 |
|---|---------------------------------------|-------------|

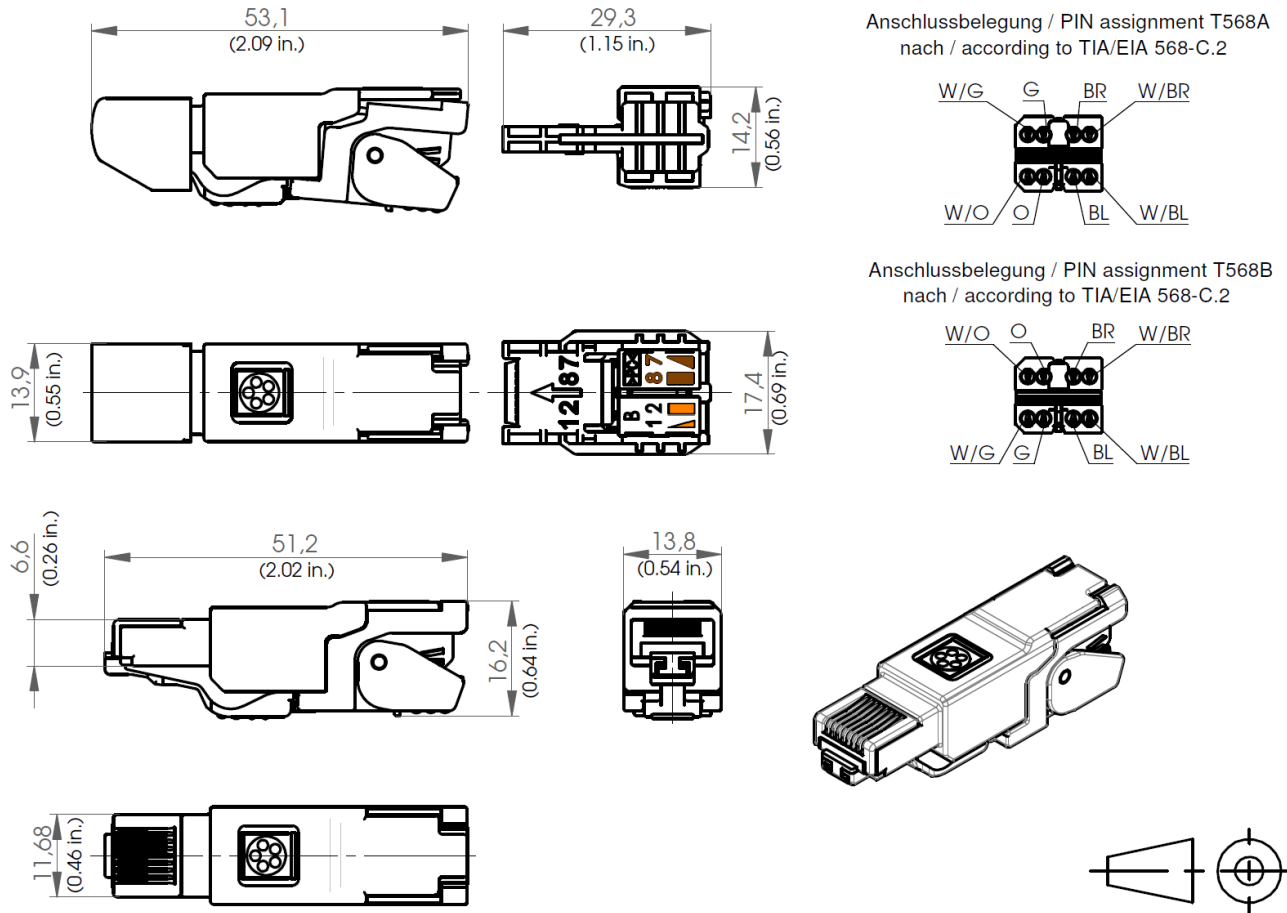
| | | |
|---------------------------|----------------------------|---|
| 21700601 | DATA SHEET |  |
| Valid from: 09.02.2019 | ED-IE-AX-6A-B-20-FC | |

Approvals

UL listed, E-File

E353543

Drawings



Application range

Automation, industrial machinery and plant engineering

Note

Photographs are not true to scale and do not represent detailed images of the respective products.

| | | |
|---|---------------------------------------|-------------|
| Creator: MANA2/PDP Released: IVSE1/PDP | Document: DB21700601EN Version: 03 | Page 2 of 2 |
|---|---------------------------------------|-------------|