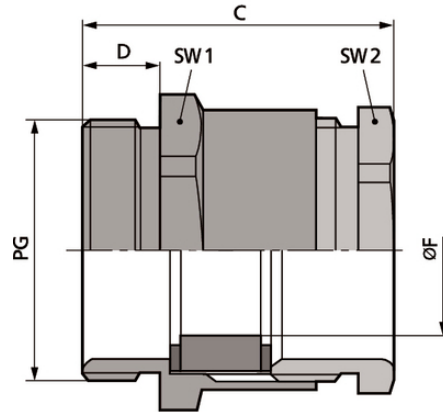


SKINDICHT® SVRN

SKINDICHT® SVRN, PG cable gland with high mechanical stability and optimum strain relief, with hexagonal fitting



Robust

Benefits

High mechanical stability
Optimum strain relief

Application range

Brass cable gland with hexagonal fitting, for fast assembly with a flat spanner.

Product Make-up

PG connection thread

Note

Counter nut to be used: SKINDICHT® SM

Technical Data

Classification ETIM 5:

ETIM 5.0 Class-ID: EC000441
ETIM 5.0 Class-Description: Cable screw gland

Classification ETIM 6:

ETIM 6.0 Class-ID: EC000441
ETIM 6.0 Class-Description: Cable screw gland

Caution:

The installation dimensions
can be found in appendix T21

Material:

Body: nickel-plated brass
Sealing ring: CR

Protection rating:

IP 54

Temperature range:

-20°C to +100°C

Last Update (25.04.2024)

©2024 Lapp Group - Technical changes reserved

Product Management www.lappkabel.de

You can find the current technical data in the corresponding data sheet.

PN 0456 / 02_03.16

SKINDICHT® SVRN

Note

Photographs and graphics are not to scale and do not represent detailed images of the respective products.
Prices are net prices without VAT and surcharges. Sale to business customers only.

SKINDICHT® SVRN

Article number	Article designation / size	PG size	Clamping range in mm	SW1/SW2 mm	Overall length C mm	Thread length D mm	Pieces / PU
SKINDICHT® SVRN							
52000210	SVRN 7005/N	7	5	14.0 / 13.0	20.6	5	100
52020300	SVRN 7006/N	7	6	14.0 / 13.0	20.6	5	100
52020310	SVRN 7007/N	7	7	14.0 / 13.0	20.6	5	100
52020320	SVRN 9007/N	9	7	17.0 / 15.0	22.6	6	100
52020330	SVRN 9008/N	9	8	17.0 / 15.0	22.6	6	100
52000220	SVRN 9009/N	9	9	17.0 / 15.0	22.6	6	100
52020341	SVRN 11010/N	11	10	20.0 / 18.0	23.6	6	50
52000241	SVRN 13012/N	13.5	12	22.0 / 20.0	26.1	6.5	50
52000251	SVRN 16014/N	16	14	24.0 / 22.0	27.1	6.5	50
52000260	SVRN 21018/N	21	18	30.0 / 28.0	29.6	7	50
52000270	SVRN 29027/N	29	27	40.0 / 37.0	32.6	8	50
52000280	SVRN 36034/N	36	34	50.0 / 47.0	38.6	9	20

Last Update (25.04.2024)

©2024 Lapp Group - Technical changes reserved

 Product Management www.lappkabel.de

 You can find the current technical data in the corresponding data sheet.
 PN 0456 / 02_03_16