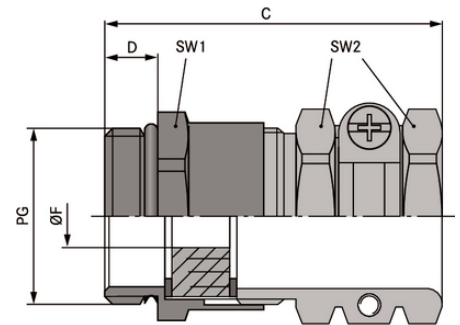


SKINDICHT® SHZ

SKINDICHT® SHZ, robust PG nickel-plated brass cable gland with incised sealing ring for large cable diameters, high strain relief



Optimum strain relief



Robust

Benefits

- With incised sealing ring for adjustment to several cable diameters
- High strain relief
- Robust
- For cables with large outer diameters

Application range

Compact brass cable gland for reliable strain relief, solid, for large cable diameters.

Product Make-up

PG connection thread

Note

SKINDICHT® SHZ-XL is similar to the SKINDICHT® SHZ, but has an extended connection thread for thick walls
 Refer to SKINDICHT® EV for additional accessories
 Counter nut to be used: SKINDICHT® SM

Technical Data

Classification ETIM 6:

ETIM 6.0 Class-ID: EC000441

ETIM 6.0 Class-Description: Cable screw gland

Caution:

The installation dimensions
 can be found in appendix T21

Material:

Body: nickel-plated brass

Last Update (19.12.2022)

©2022 Lapp Group - Technical changes reserved

Product Management www.lappkabel.de

You can find the current technical data in the corresponding data sheet.

PN 0456 / 02_03.16

SKINDICHT® SHZ

	Sealing: CR
	O-ring: NBR
Protection rating:	IP 55
Temperature range:	-20°C to +80°C

Note

Photographs and graphics are not to scale and do not represent detailed images of the respective products. Prices are net prices without VAT and surcharges. Sale to business customers only.

SKINDICHT® SHZ

Article number	Article designation / size	Ø F mm	Max. fitting size for installation (mm)	SW1/SW2 mm	Overall length C mm	Thread length D mm	Pieces / PU
SKINDICHT® SHZ							
52005590	PG 7	5 - 6	21	14.0 / 15.0	30.0	5	50
52005600	PG 9	7.5 - 8.5	25	17.0 / 17.0	34.0	6	50
52000930	PG 11	9.5 - 12	28	20.0 / 20.0	35.0	6	25
52000940	PG 13,5	12.5 - 14	32	22.0 / 22.0	40.0	6.5	25
52000950	PG 16	13.5 - 16	35	24.0 / 24.0	42.0	6.5	25
52000960	PG 21	15.5 - 21	46	30.0 / 30.0	47.0	7	25
52000970	PG 29	21.5 - 27.5	58	40.0 / 41.0	53.0	8	10
52000980	PG 36	27 - 34	70	50.0 / 50.0	61.0	9	10
52005610	PG 42	34 - 43	78	57.0 / 57.0	66.0	10	5
52005620	PG 48	38 - 48	86	64.0 / 64.0	68.0	10	5
SKINDICHT® SHZ-XL							
52023717	PG 9	7.5 - 8.5	25	17.0 / 17.0	43.0	10	50
52023718	PG 11	9.5 - 12	28	20.0 / 20.0	44.0	10	25
52023719	PG 13,5	12.5 - 14	32	22.0 / 22.0	48.5	10	25
52023720	PG 16	13.5 - 16	35	24.0 / 24.0	50.5	10	25
52024840	PG 21	15.5 - 21	46	30.0 / 30.0	55.0	11	25
52025530	PG 29	21.5 - 27.5	58	40.0 / 41.0	60.0	13	10
52023721	PG 36	27 - 34	70	50.0 / 50.0	67.0	13	10
52023722	PG 42	34 - 43	78	57.0 / 57.0	71.0	14	5
52023723	PG 48	38 - 48	86	64.0 / 64.0	73.0	14	5

Last Update (19.12.2022)

©2022 Lapp Group - Technical changes reserved

 Product Management www.lappkabel.de

 You can find the current technical data in the corresponding data sheet.
 PN 0456 / 02_03_16