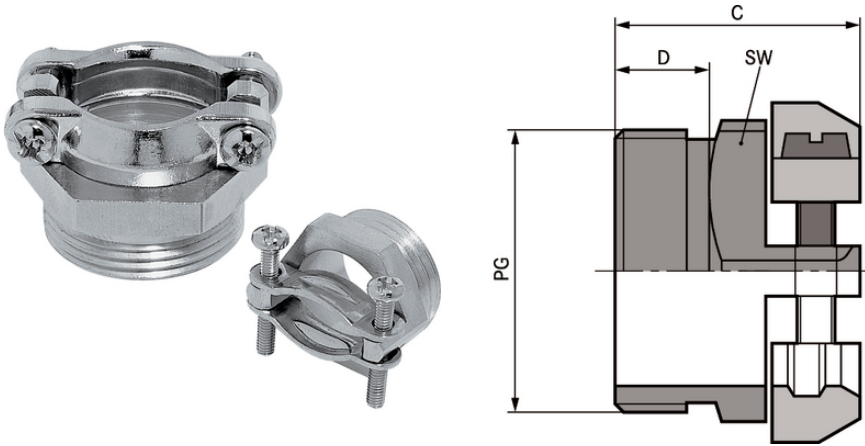


## SKINDICHT® SK

SKINDICHT® SK, PG brass cable gland, wide clamping range & reliable strain relief, for cable gland with solid brass saddle clamps



Wide clamping range



Optimum strain relief



Robust

### Benefits

Reliable strain relief  
Wide clamping range

### Application range

Cable gland with two solid brass saddle clamps  
Connectors  
Switches  
Control panels

### Product Make-up

PG connection thread

### Note

Counter nut to be used: SKINDICHT® SM

### Technical Data

Classification ETIM 5:

ETIM 5.0 Class-ID: EC000441

ETIM 5.0 Class-Description: Cable screw gland

Classification ETIM 6:

ETIM 6.0 Class-ID: EC000441

Last Update (24.04.2024)

©2024 Lapp Group - Technical changes reserved

Product Management [www.lappkabel.de](http://www.lappkabel.de)

You can find the current technical data in the corresponding data sheet.

PN 0456 / 02\_03.16

## SKINDICHT® SK

Caution:	ETIM 6.0 Class-Description: Cable screw gland The installation dimensions can be found in appendix T21
On request:	Available with long connection thread
Material:	Body: nickel-plated brass
Protection rating:	IP 20
Temperature range:	-20°C up to +200°C

### Note

Photographs and graphics are not to scale and do not represent detailed images of the respective products. Prices are net prices without VAT and surcharges. Sale to business customers only.

**SKINDICHT® SK**

Article number	Article designation / size	Clamping range ØF mm	SW wrench size mm	Max. fitting size for installation (mm)	Overall length C mm	Thread length D mm	Pieces / PU
SKINDICHT® SK							
52004230	PG 9	6 - 12	19.0	24	16.5	6	50
52004240	PG 11	7 - 15	21.0	27	16.5	6	50
52004250	PG 13,5	12 - 16.5	22.0	30	18.5	7.5	25
52004260	PG 16	13 - 18	24.0	33	19.0	7.5	25
52004270	PG 21	15 - 23	30.0	42	22.5	8	25
51712740	PG 29	20 - 31	41.0	58	26.0	8	10

Last Update (24.04.2024)

©2024 Lapp Group - Technical changes reserved

Product Management [www.lappkabel.de](http://www.lappkabel.de)You can find the current technical data in the corresponding data sheet.  
PN 0456 / 02\_03\_16