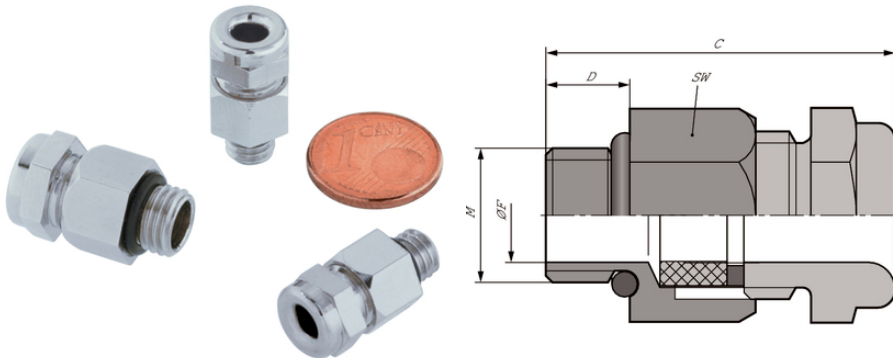


## SKINDICHT® MINI NBR

SKINDICHT® MINI, cable gland for the smallest conductor sizes and high packing density, gentle cable clamping and high degree of protection



Supplementary automation components from Lapp



Space requirement

### Benefits

- High degree of protection
- For the smallest conductor sizes
- Low height
- Gentle cable clamping
- High packing density

### Application range

For use wherever there is limited assembly space.  
Sensors  
Measurement and control technology

### Product features

Suitable for use in oily surroundings

### Technical Data

Classification ETIM 5:

ETIM 5.0 Class-ID: EC000441  
ETIM 5.0 Class-Description: Cable screw gland

Classification ETIM 6:

ETIM 6.0 Class-ID: EC000441  
ETIM 6.0 Class-Description: Cable screw gland

Caution:

Recommendation of torque  
M 6 x 1 1,5 Nm  
M 8 x 1 3,0 Nm  
M 10 x 1 6,0 Nm

Last Update (07.09.2020)

©2020 Lapp Group - Technical changes reserved

Product Management [www.lappkabel.de](http://www.lappkabel.de)

You can find the current technical data in the corresponding data sheet.

PN 0456 / 02\_03.16

**SKINDICHT® MINI NBR**

Material:	Body: Nickel-plated brass Sealing: CR/NBR
Protection rating:	IP 66 IP 68 - 5 bar
Temperature range:	-20°C to +100°C

**Note**

Photographs and graphics are not to scale and do not represent detailed images of the respective products.  
Prices are net prices without VAT and surcharges. Sale to business customers only.

**SKINDICHT® MINI NBR**

Article number	Article designation / size	Clamping range ØF mm	SW wrench size mm	Overall length C mm	Thread length D mm	Clear opening F (mm)	Pieces / PU
SKINDICHT® MINI NBR							
52001860	M 6 x 1	2 - 3	9	19.7	5	3.0	50
52001880	M 8 x 1	3.5 - 5	11	20.5	5	5.5	50
52001895	M 10 x 1	5.5 - 7	14	22.3	5	7.4	50

Last Update (07.09.2020)

©2020 Lapp Group - Technical changes reserved

Product Management [www.lappkabel.de](http://www.lappkabel.de)

You can find the current technical data in the corresponding data sheet.  
PN 0456 / 02\_03.16