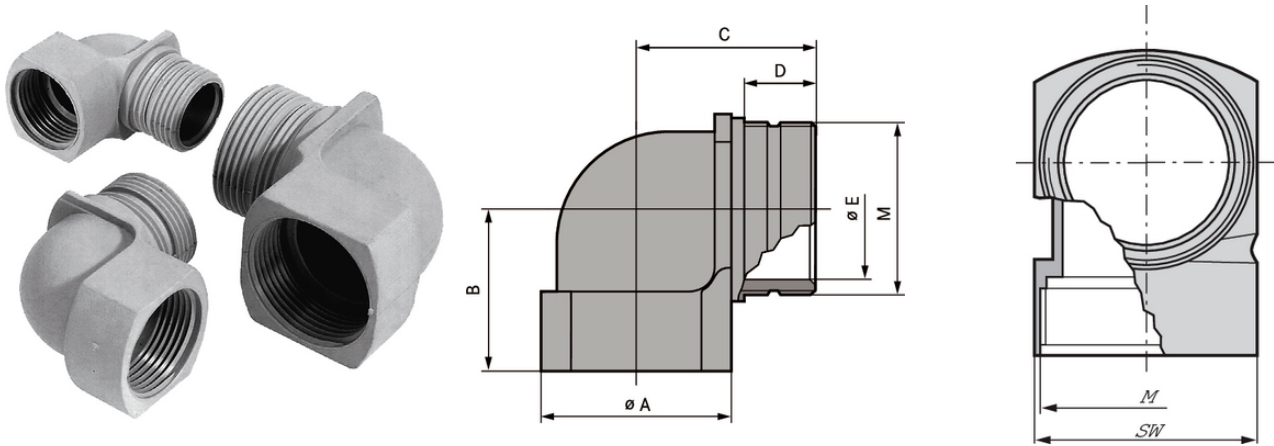


SKINDICHT® KW-M

SKINDICHT® KW-M, metric, glass fibre-reinforced polyamide angle cable gland to decrease in installation height, space- and weight-saving



Low weight



Space requirement



Connector with standard housing unit

Benefits

Space- and weight-saving application due to thin cable diameters
Decrease in installation height

Application range

Angled glands are used in areas where cables have to run in parallel to the housing wall.
Light and sound applications
Control cabinet manufacturing

Product Make-up

Metric connection thread acc. to DIN EN 60423
Basis for technical information DIN IEC 62444

Note

Refer to SKINDICHT® O-ring NBR for suitable O-rings
SKINDICHT® KW-M can be combined with any cable gland, in particular with SKINTOP® ST-M
Counter nut to be used: SKINTOP® GMP-GL-M

Technical Data

Classification ETIM 5:

ETIM 5.0 Class-ID: EC000441

Last Update (23.04.2024)

©2024 Lapp Group - Technical changes reserved

Product Management www.lappkabel.de

You can find the current technical data in the corresponding data sheet.

PN 0456 / 02_03.16

SKINDICHT® KW-M

Classification ETIM 6:	ETIM 5.0 Class-Description: Cable screw gland ETIM 6.0 Class-ID: EC000441 ETIM 6.0 Class-Description: Cable screw gland
Colour delivered:	Silver grey (RAL 7001)
Material:	Polyamide, glass fibre-reinforced
Protection rating:	IP 55
Temperature range:	-20°C to +80°C

Note

Photographs and graphics are not to scale and do not represent detailed images of the respective products. Prices are net prices without VAT and surcharges. Sale to business customers only.

SKINDICHT® KW-M

Article number	Article designation / size	A (mm)	B in mm	Ø E mm	SW wrench size mm	Overall length C mm	Thread length D mm	Pieces / PU
SKINDICHT® KW-M								
52106210	M 16 x 1,5	19	21.5	11	19	24.0	13	25
52106220	M 20 x 1,5	25	24.5	15	25	29.5	15	25
52106230	M 25 x 1,5	30	28	20	30	33.5	16	25
52106240	M 32 x 1,5	36	31.5	26	36	38.0	17	10

Last Update (23.04.2024)

©2024 Lapp Group - Technical changes reserved

Product Management www.lappkabel.de

You can find the current technical data in the corresponding data sheet.

PN 0456 / 02_03_16