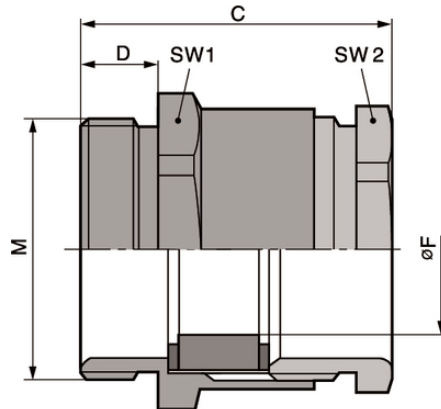


SKINDICHT® SVRN-M

SKINDICHT® SVRN-M, metric cable gland with high mechanical stability and optimal strain relief, with hexagonal fitting



Good chemical resistance



Corrosion-resistant



Mechanical resistance



Optimum strain relief

Benefits

High mechanical stability
Optimum strain relief

Application range

Brass cable gland with hexagonal fitting, for fast assembly with a flat spanner.

Product Make-up

Metric connection thread acc. to DIN EN 60423
Basis for technical information DIN IEC 62444

Note

Counter nut to be used: SKINDICHT® SM-M
Example order identification:
SVRN-M 12 / 7 / 5
12 = Connection thread metric
7 = Function thread PG
5 = Clear width F

Last Update (20.05.2025)

©2025 Lapp Group - Technical changes reserved

Product Management www.lappkabel.de

You can find the current technical data in the corresponding data sheet.

PN 0456 / 02_03.16

SKINDICHT® SVRN-M

Technical Data

Classification ETIM 5:	ETIM 5.0 Class-ID: EC000441 ETIM 5.0 Class-Description: Cable screw gland
Classification ETIM 6:	ETIM 6.0 Class-ID: EC000441 ETIM 6.0 Class-Description: Cable screw gland
Caution:	The installation dimensions can be found in appendix T21
On request:	Available with long connection thread
Material:	Body: nickel-plated brass Sealing ring: CR/NBR
Protection rating:	IP 54
Temperature range:	-20 °C to +100 °C

Note

Photographs and graphics are not to scale and do not represent detailed images of the respective products. Prices are net prices without VAT and surcharges. Sale to business customers only.



SKINDICHT® SVRN-M

Article number	Article designation / size	Function thread PG	SW1/SW2 mm	Overall length C mm	Thread length D mm	Clear opening F (mm)	Pieces / PU
SKINDICHT® SVRN-M							
52104800	M 12 x 1,5	7	14.0 / 13.0	20.6	5	5.0	100
52104810	M 12 x 1,5	7	14.0 / 13.0	20.6	5	6.0	100
52104820	M 12 x 1,5	7	14.0 / 13.0	20.6	5	7.0	100
52104830	M 16 x 1,5	9	18.0 / 15.0	21.6	5	7.0	100
52104840	M 16 x 1,5	9	18.0 / 15.0	21.6	5	8.0	100
52104850	M 16 x 1,5	9	18.0 / 15.0	21.6	5	9.0	100
52104860	M 20 x 1,5	11	22.0 / 18.0	23.6	6	10.0	50
52104870	M 20 x 1,5	11	22.0 / 18.0	23.6	6	11.0	50
52104890	M 20 x 1,5	13.5	22.0 / 20.0	25.6	6	12.0	50
52104910	M 20 x 1,5	16	24.0 / 22.0	26.6	6	14.0	50
52104920	M 25 x 1,5	21	30.0 / 28.0	29.6	7	18.0	50
52104930	M 32 x 1,5	29	40.0 / 37.0	32.6	8	27.0	50
52104940	M 40 x 1,5	36	50.0 / 47.0	37.6	8	34.0	20

Last Update (20.05.2025)

©2025 Lapp Group - Technical changes reserved

Product Management www.lappkabel.deYou can find the current technical data in the corresponding data sheet.
PN 0456 / 02_03_16