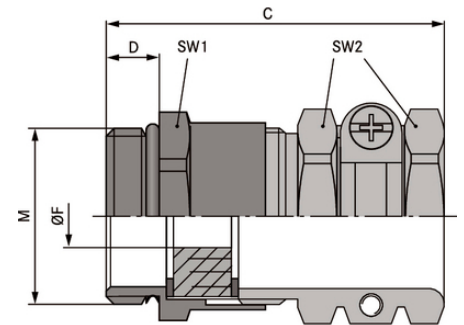


## SKINDICHT® SHZ-M

SKINDICHT® SHZ-M, robust, metric cable gland with incised sealing ring for cables with large outer diameters, high strain relief



Mechanical resistance



Optimum strain relief

### Benefits

- With incised sealing ring for adjustment to several cable diameters
- High strain relief
- Robust
- For cables with large outer diameters

### Application range

Compact brass cable gland for reliable strain relief, solid, for large cable diameters.

### Product Make-up

Metric connection thread acc. to DIN EN 60423  
Basis for technical information DIN IEC 62444

### Note

SKINDICHT® SHZ-M-XL is similar to the SKINDICHT® SHZ-M, but has an extended connection thread for thick walls  
Counter nut to be used: SKINDICHT® SM-M

Example description:

SHZ-M 16/9

16 = metric connection thread

9 = PG function thread

### Technical Data

Classification ETIM 5:

ETIM 5.0 Class-ID: EC000441

ETIM 5.0 Class-Description: Cable screw gland

Last Update (28.04.2024)

©2024 Lapp Group - Technical changes reserved

Product Management [www.lappkabel.de](http://www.lappkabel.de)

You can find the current technical data in the corresponding data sheet.

PN 0456 / 02\_03.16

## SKINDICHT® SHZ-M

Classification ETIM 6:	ETIM 6.0 Class-ID: EC000441 ETIM 6.0 Class-Description: Cable screw gland
Caution:	The installation dimensions can be found in appendix T21
Material:	Body: nickel-plated brass Sealing ring: CR/NBR O-ring: NBR
Protection rating:	IP 55
Temperature range:	-20°C to +80°C

### Note

Photographs and graphics are not to scale and do not represent detailed images of the respective products.  
Prices are net prices without VAT and surcharges. Sale to business customers only.

**SKINDICHT® SHZ-M**

Article number	Article designation / size	Clamping range ØF mm	Ø F mm	Max. fitting size for installation (mm)	Function thread PG	SW1/SW2 mm	Overall length C mm	Thread length D mm	Clear opening F (mm)	Pieces / PU
<b>SKINDICHT® SHZ-M</b>										
52106700	M 12 x 1,5	5.0 - 5.0	5.5 - 6.5	21	7	14 / 15	30.0	5	8.0	50
52106710	M 16 x 1,5	5.0 - 8.0	5.0 - 8.0	25	9	18 / 17	33.0	5	10.0	50
52106720	M 20 x 1,5	7.0 - 10.0	8.0 - 12.0	28	11	22 / 20	35.0	6	12.0	25
52106730	M 20 x 1,5	7.0 - 13.0	8.5 - 13.0	32	13.5	22 / 22	39.5	6	14.0	25
52106740	M 20 x 1,5	8.0 - 13.5	8.0 - 15.0	35	16	24 / 24	41.5	6	15.0	25
52106750	M 25 x 1,5	11.0 - 20.0	14.0 - 19.3	46	21	30 / 30	47.0	7	20.0	25
52106760	M 32 x 1,5	18.0 - 27.0	19.0 - 27.0	58	29	40 / 41	53.0	8	27.0	10
52106770	M 40 x 1,5	24.0 - 31.0	27.0 - 34.0	70	36	50 / 50	60.0	8	34.0	10
52106780	M 50 x 1,5	30.0 - 42.5	35.0 - 43.0	78	42	57 / 57	65.0	9	43.0	5
52106790	M 63 x 1,5	36.0 - 47.0	40.0 - 47.5	86	48	66 / 64	68.0	10	48.0	5
<b>SKINDICHT® SHZ-M-XL</b>										
52106705	M 12 x 1,5	5.0 - 5.0	5.5 - 6.5	21	7	14 / 15	35.0	10	8.0	50
52106715	M 16 x 1,5	5.0 - 8.0	5.0 - 8.0	25	9	18 / 17	38.0	10	10.0	50
52106725	M 20 x 1,5	7.0 - 10.0	8.0 - 12.0	28	11	22 / 20	39.0	10	12.0	25
52106735	M 20 x 1,5	7.0 - 13.0	8.5 - 13.0	32	13.5	22 / 22	43.5	10	14.0	25
52106745	M 20 x 1,5	8.0 - 13.5	9.0 - 14.5	35	16	24 / 24	45.5	10	15.0	25
52106755	M 25 x 1,5	11.0 - 20.0	14.0 - 19.3	46	21	30 / 30	51.0	11	20.0	25
52106765	M 32 x 1,5	18.0 - 27.0	19.0 - 27.0	58	29	40 / 41	58.0	13	27.0	10
52106775	M 40 x 1,5	24.0 - 31.0	27.0 - 34.0	70	36	50 / 50	67.0	13	34.0	10
52106785	M 50 x 1,5	30.0 - 42.5	35.0 - 43.0	78	42	57 / 57	70.0	14	43.0	5
52106795	M 63 x 1,5	36.0 - 47.0	40.0 - 47.5	86	48	66 / 64	73.0	14	48.0	5

Last Update (28.04.2024)

©2024 Lapp Group - Technical changes reserved

 Product Management [www.lappkabel.de](http://www.lappkabel.de)

You can find the current technical data in the corresponding data sheet.

PN 0456 / 02\_03\_16