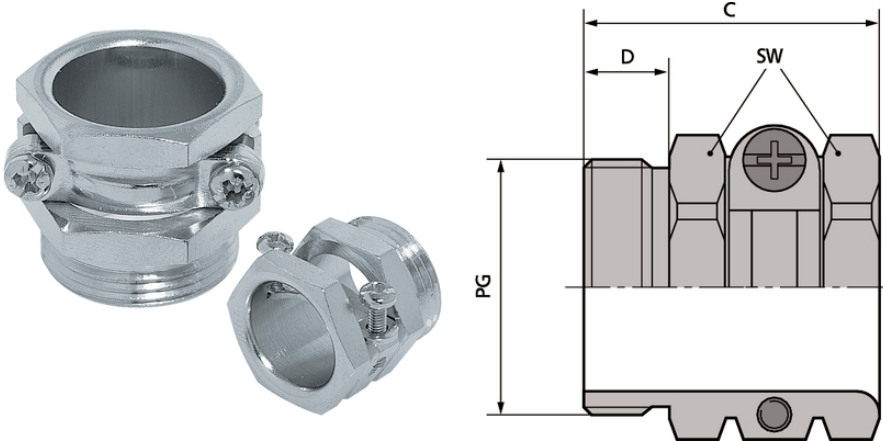


## SKINDICHT® SH

SKINDICHT® SH, anti-magnetic, seawater-resistant PG cable gland with stable and safe strain relief, corrosion-resistant



Robust



Optimum strain relief



Corrosion-resistant

### Benefits

Seawater-resistant  
Anti-magnetic  
Corrosion-resistant  
Stable and safe strain relief

### Application range

Extremely robust and solid strain relief cable gland  
Building sites  
Plant engineering  
Electric motor manufacturing

### Product Make-up

PG connection thread

### Technical Data

Classification ETIM 5:

ETIM 5.0 Class-ID: EC000441  
ETIM 5.0 Class-Description: Cable screw gland

Classification ETIM 6:

ETIM 6.0 Class-ID: EC000441  
ETIM 6.0 Class-Description: Cable screw gland

Caution:

The installation dimensions  
can be found in appendix T21

## SKINDICHT® SH

On request:	Available with long connection thread
Material:	Body: nickel-plated brass
Protection rating:	IP 20
Temperature range:	-20°C up to +200°C

### Note

Photographs and graphics are not to scale and do not represent detailed images of the respective products. Prices are net prices without VAT and surcharges. Sale to business customers only.

**SKINDICHT® SH**

Article number	Article designation / size	Clamping range ØF mm	SW wrench size mm	Max. fitting size for installation (mm)	Overall length C mm	Thread length D mm	Pieces / PU
SKINDICHT® SH							
52000830	PG 7	8 - 10	15.0	22	17.5	5.5	50
52000840	PG 9	10 - 12.5	17.0	25	20.5	6	50
52000850	PG 11	11 - 15	20.0	28	21.5	6	50
52000860	PG 13,5	14 - 16.5	22.0	32	24.0	7.5	25
52000870	PG 16	15 - 18	24.0	35	26.0	7.5	25
52000880	PG 21	18 - 23.5	30.0	46	29.0	8	25
52000890	PG 29	23 - 31	41.0	58	33.0	8	10
52000900	PG 36	29 - 40.5	50.0	70	36.5	9.5	10
52000910	PG 42	34 - 45	57.0	78	38.0	10	5
52000920	PG 48	39 - 50	64.0	86	39.5	11.5	5

Last Update (14.07.2019)

©2019 Lapp Group - Technical changes reserved

Product Management [www.lappkabel.de](http://www.lappkabel.de)You can find the current technical data in the corresponding data sheet.  
PN 0456 / 02\_03.16