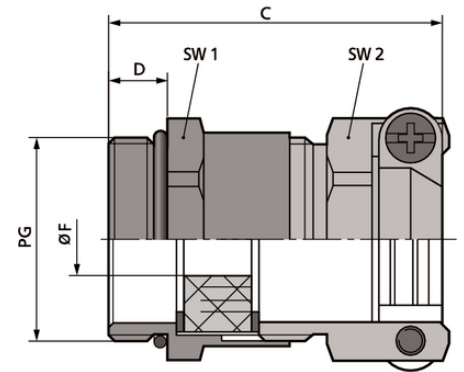


## SKINDICHT® SKZ

SKINDICHT® SKZ, PG brass cable gland with incised sealing ring, high mechanical stability and strain relief, for harsh conditions



Wide clamping range



Optimum strain relief



Robust

### Benefits

With incised sealing ring for adjustment to several cable diameters  
High strain relief  
High mechanical stability

### Application range

Saddle clamp strain relief gland for harsh application conditions  
Building sites  
Plant engineering  
Electric motor manufacturing

### Product Make-up

PG connection thread

### Note

SKINDICHT® SKZ-XL is similar to the SKINDICHT® SKZ, but has an extended connection thread for thick walls  
Counter nut to be used: SKINDICHT® SM  
Refer to SKINDICHT® EV for additional accessories

### Technical Data

Classification ETIM 5:

ETIM 5.0 Class-ID: EC000441

Last Update (13.09.2020)

©2020 Lapp Group - Technical changes reserved

Product Management [www.lappkabel.de](http://www.lappkabel.de)

You can find the current technical data in the corresponding data sheet.

PN 0456 / 02\_03.16

## SKINDICHT® SKZ

Classification ETIM 6:	ETIM 5.0 Class-Description: Cable screw gland ETIM 6.0 Class-ID: EC000441 ETIM 6.0 Class-Description: Cable screw gland
Caution:	The installation dimensions can be found in appendix T21
Material:	Body: nickel-plated brass Incised sealing ring: CR O-ring: NBR
Protection rating:	IP 55
Temperature range:	-20°C to +80°C

### Note

Photographs and graphics are not to scale and do not represent detailed images of the respective products.  
Prices are net prices without VAT and surcharges. Sale to business customers only.

**SKINDICHT® SKZ**

Article number	Article designation / size	Ø F mm	Max. fitting size for installation (mm)	SW1/SW2 mm	Overall length C mm	Thread length D mm	Pieces / PU
<b>SKINDICHT® SKZ</b>							
52004280	PG 9	6 - 8.5	24	17.0 / 17.0	30.0	6	50
52004290	PG 11	8 - 12	27	20.0 / 21.0	30.0	6	50
52004300	PG 13,5	12 - 14	30	22.0 / 22.0	34.0	6.5	25
52004310	PG 16	13 - 16	33	24.0 / 24.0	35.0	6.5	25
52004320	PG 21	15 - 21	42	30.0 / 30.0	41.0	7	25
52005570	PG 29	20 - 29	58	40.0 / 41.0	46.0	8	10
<b>SKINDICHT® SKZ-XL</b>							
52005575	PG 9	6 - 8.5	24	17.0 / 17.0	39.0	15	50
52005576	PG 11	8 - 12	27	20.0 / 21.0	39.0	15	50
52005577	PG 13,5	12 - 14	30	22.0 / 22.0	42.5	15	25
54000043	PG 16	13 - 16	33	24.0 / 24.0	43.5	15	25
54000011	PG 21	15 - 21	42	30.0 / 30.0	49.0	15	25
54000098	PG 29	20 - 27.5	58	40.0 / 41.0	53.0	15	10

Last Update (13.09.2020)

©2020 Lapp Group - Technical changes reserved

 Product Management [www.lappkabel.de](http://www.lappkabel.de)

 You can find the current technical data in the corresponding data sheet.  
 PN 0456 / 02\_03.16