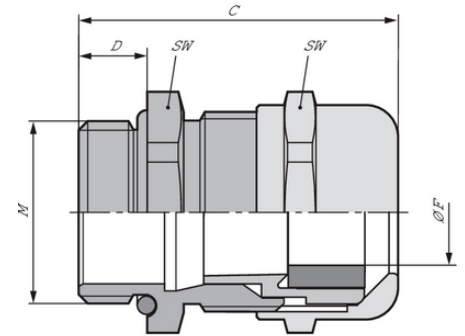







SKINTOP® COLD-R

SKINTOP® COLD-R, metric brass cable gland, high cold-resistance and cold impact resistance, with reducing seal insert

Info

For extreme sub-zero temperatures



-  Good chemical resistance
-  Cold-resistant
-  Corrosion-resistant
-  Mechanical resistance
-  Temperature-resistant

Benefits

- High cold-resistance
- Cold impact resistance
- High mechanical stability
- Optimum strain relief
- Wide, variable clamping ranges

Application range

With reducing seal insert, to seal cables with smaller outer diameters

Norm references / Approvals

UL File Nr. E79903

Last Update (11.12.2022)

©2022 Lapp Group - Technical changes reserved

Product Management www.lappkabel.de

You can find the current technical data in the corresponding data sheet.

PN 0456 / 02_03.16

SKINTOP® COLD-R

Product Make-up

Metric connection thread acc. to DIN EN 60423
Basis for technical information DIN IEC 62444

Technical Data

Classification ETIM 5:	ETIM 5.0 Class-ID: EC000441 ETIM 5.0 Class-Description: Cable screw gland
Classification ETIM 6:	ETIM 6.0 Class-ID: EC000441 ETIM 6.0 Class-Description: Cable screw gland
Caution:	Refer to Appendix T21 for the installation dimensions and torques
Material:	Body: nickel-plated brass Insert: special polyamide Sealing ring: silicone O-ring: silicone
Protection rating:	IP 68 - 10 bar (M12 - M20) IP 68 - 5 bar (M25 - M63) NEMA Type 1, 2, 4x, 6, 12
Temperature range:	-70°C to +100°C

Note

Photographs and graphics are not to scale and do not represent detailed images of the respective products.
Prices are net prices without VAT and surcharges. Sale to business customers only.

SKINTOP® COLD-R

Article number	Article designation / size	Ø F mm	SW wrench size mm	Overall length C mm	Thread length D mm	Pieces / PU
SKINTOP® COLD-R						
53113600	M 12 x 1,5	1 - 5	16	26.5	6.5	100
53113610	M 16 x 1,5	2 - 7	20	33.0	7	100
53113620	M 20 x 1,5	5 - 10	24	37.0	8	50
53113630	M 25 x 1,5	6 - 13	29	38.5	8	25
53113640	M 32 x 1,5	7 - 15	36	45.5	9	25
53113650	M 40 x 1,5	15 - 23	45	48.0	9	10
53113660	M 50 x 1,5	22 - 29	54	55.5	10	5
53113670	M 63 x 1,5	28 - 39	67	67.0	15	5

Last Update (1.1.12.2022)

©2022 Lapp Group - Technical changes reserved

Product Management www.lappkabel.de

You can find the current technical data in the corresponding data sheet.

PN 0456 / 02_03_16