

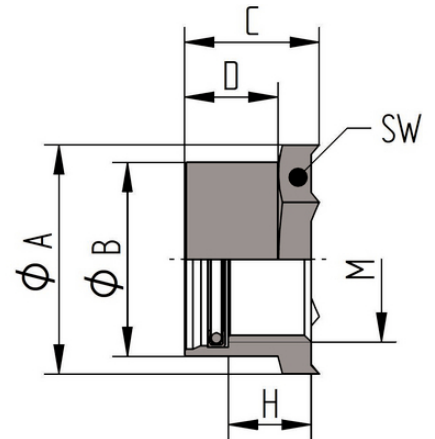
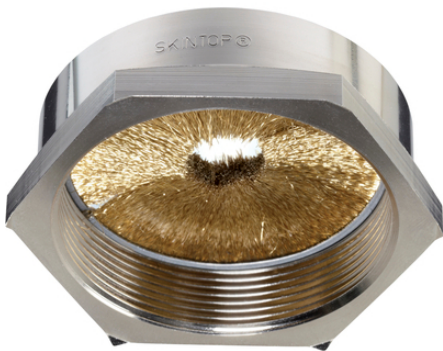
SKINTOP® BRUSH ADD-ON

SKINTOP® BRUSH ADD-ON, uncomplicated EMC add-on with cutting edges and visible, large-scale screen contact, easy disassembling

Info

Innovative EMC add-on for SKINTOP® ST(R)-M polyamide cable glands.

Worlds first patented active EMC lock-nut!



Reliability



Voltage



Interference signals



Temperature-resistant

Benefits

Optimum, low-resistance 360° screen contact

Cutting edges cut through the insulating layer of the housing or switch cabinets, thus guaranteeing an optimum EMC contact

Easy disassembling

Visible, large-scale screen contact

Uncomplicated and reliable

Application range

For EMC-compliant earthing of the copper braiding

For EMC-contact at through bore-holes

Control cabinet manufacturing

Automation systems

Conveyor and transport systems

Last Update (27.11.2020)

©2020 Lapp Group - Technical changes reserved

Product Management www.lappkabel.de

You can find the current technical data in the corresponding data sheet.

PN 0456 / 02_03.16

SKINTOP® BRUSH ADD-ON

Product Make-up

Metric connection thread acc. to DIN EN 60423
Basis for technical information DIN IEC 62444

Technical Data

Classification ETIM 5:	ETIM 5.0 Class-ID: EC000441 ETIM 5.0 Class-Description: Cable screw gland
Classification ETIM 6:	ETIM 6.0 Class-ID: EC000441 ETIM 6.0 Class-Description: Cable screw gland
Caution:	Refer to Appendix T21 for the installation dimensions and torques Apply SKINTOP® ST-M torques
Material:	Body: nickel-plated brass EMC brush: brass
Temperature range:	Dynamic: -20°C to +100°C Depending on the combination of the used cable gland

Note

Photographs and graphics are not to scale and do not represent detailed images of the respective products.
Prices are net prices without VAT and surcharges. Sale to business customers only.

SKINTOP® BRUSH ADD-ON

Article number	Article designation / size	Minimum Ø above braiding (mm)	SW wrench size mm	Thread length D mm	Pieces / PU
54110839	M 12 x 1,5	4	24	10	25
54110840	M 16 x 1,5	4	24	10	25
54110841	M 20 x 1,5	4	24	10	10
54110842	M 25 x 1,5	5	30	10	10
54110843	M 32 x 1,5	6	39	12	10
54110844	M 40 x 1,5	10	47	12	5
54110845	M 50 x 1,5	12	56	12	5
54110846	M 63 x 1,5	16	66	12	5

Last Update (27.11.2020)

©2020 Lapp Group - Technical changes reserved

Product Management www.lappkabel.de

You can find the current technical data in the corresponding data sheet.
PN 0456 / 02_03.16

SKINTOP® BRUSH ADD-ON

