

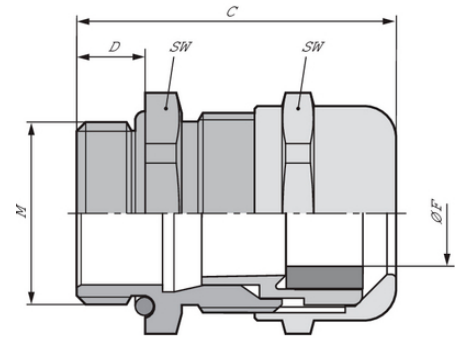
## SKINTOP® FLAT

Cable gland with sealing insert for flat cables

Cable gland for flat cables

### Info

Innovative, patented sealing construction enables IP68 over the entire clamping range



Good chemical resistance



Wide clamping range



Halogen-free



Mechanical resistance



Assembly time



Robust



Temperature-resistant



UV-resistant

### Benefits

Specially designed sealing insert enables very high IP protection

Wide, variable clamping ranges

Last Update (23.04.2024)

©2024 Lapp Group - Technical changes reserved

Product Management [www.lappkabel.de](http://www.lappkabel.de)

You can find the current technical data in the corresponding data sheet.

PN 0456 / 02\_03.16

## SKINTOP® FLAT

Suitable for both angular and round cable contours  
Even pressure distribution on the flat cable  
Halogen-free

### Application range

For inserting flat cables  
Conveyor and transport systems, indoor cranes and high-rack facilities  
Lifts  
Cable trolley systems  
Submersible pumps

### Product Make-up

Metric connection thread acc. to DIN EN 60423  
Technical information referring to DIN IEC 62444

### Technical Data

Caution:	Tightening torques see installation instructions
Material:	Body: Nickel-plated brass Insert: Polyamid Sealing: NBR O-Ring: NBR
Protection rating:	IP 68 - 5 bar
Temperature range:	-20°C to +100°C

### Note

Photographs and graphics are not to scale and do not represent detailed images of the respective products.  
Prices are net prices without VAT and surcharges. Sale to business customers only.

**SKINTOP® FLAT**

Article number	Article designation / size	Cable width min. / max. mm	Cable thickness min. / max. mm	SW wrench size mm	Overall length C mm	Thread length D mm	Pieces / PU
53119375	M 25 x 1,5	11 - 16	3 - 6	29	37.5	8	5
53119376	M 32 x 1,5	15 - 20	3 - 7	36	42.2	9	5
53119377	M 40 x 1,5	18 - 28	3 - 9	45	49.5	9	5
53119378	M 50 x 1,5	26 - 33	5 - 11	54	52.0	10	5
53119379	M 63 x 1,5	34 - 40	4.5 - 8	67	61.3	15	1
53119391	M 63 x 1,5 plus	34 - 42	7 - 13	67	-	15	1

Last Update (23.04.2024)

©2024 Lapp Group - Technical changes reserved

Product Management [www.lappkabel.de](http://www.lappkabel.de)

You can find the current technical data in the corresponding data sheet.

PN 0456 / 02\_03\_16