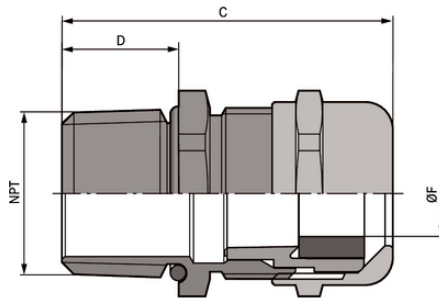


SKINTOP® COLD NPT

SKINTOP® COLD, metric brass cable gland, high cold-resistance and cold impact resistance, high mechanical stability

Info

For extreme sub-zero temperatures



Good chemical resistance



Cold-resistant



Corrosion-resistant



Mechanical resistance



Temperature-resistant

Benefits

- High cold-resistance
- Cold impact resistance
- High mechanical stability
- Optimum strain relief
- Wide, variable clamping ranges

Application range

- In areas where mechanical stability and high cold-resistance are critical
- Air-conditioning technology
- Freezing plants, cold storage
- Offshore sector
- Plant engineering

Last Update (14.05.2024)

©2024 Lapp Group - Technical changes reserved

Product Management www.lappkabel.de

You can find the current technical data in the corresponding data sheet.

PN 0456 / 02_03.16

SKINTOP® COLD NPT

Norm references / Approvals

UL File Nr. E79903

Product Make-up

NPT connection thread acc. to ASME B1.20.1 - 2013

SKINTOP® COLD-R NPT is equipped with a reduction seal insert to seal cables and wires with small outer diameters

Technical Data

Classification ETIM 5:	ETIM 5.0 Class-ID: EC000441 ETIM 5.0 Class-Description: Cable screw gland
Classification ETIM 6:	ETIM 6.0 Class-ID: EC000441 ETIM 6.0 Class-Description: Cable screw gland
Material:	Body: nickel-plated brass Insert: special polyamide Sealing ring: silicone O-ring: silicone
Protection rating:	IP 68 - 10 bar (NPT 1/4" - 1/2") IP 68 - 5 bar (NPT 3/4" - 2") NEMA Type 1, 2, 4x, 6, 12
Temperature range:	-70°C to +100°C

Note

Photographs and graphics are not to scale and do not represent detailed images of the respective products.
Prices are net prices without VAT and surcharges. Sale to business customers only.

SKINTOP® COLD NPT

Article number	Article designation / size	Ø F mm	SW wrench size mm	Overall length C mm	Thread length D mm	Pieces / PU
SKINTOP® COLD NPT						
53113700	NPT 1/4"	4 - 7	16	36.0	15	100
53113701	NPT 3/8"	5 - 10	20	39.7	15	100
53113702	NPT 1/2"	7 - 13	24	42.5	15	50
53113703	NPT 3/4"	9 - 17	29	44.5	15	25
53113704	NPT 1"	11 - 21	36	49.0	15	25
53113705	NPT 1 1/4"	19 - 28	45	57.5	15	10
53113706	NPT 1 1/2"	27 - 35	54	61.5	17	5
53113707	NPT 2"	34 - 45	67	63.5	17	5
SKINTOP® COLD-R NPT						
53113710	NPT 1/4"	3 - 5	16	36.0	15	100
53113711	NPT 3/8"	4.5 - 7	20	39.7	15	100
53113712	NPT 1/2"	6 - 10	24	42.5	15	50
53113713	NPT 3/4"	7 - 13	29	44.5	15	25
53113714	NPT 1"	8 - 15	36	49.0	15	25
53113715	NPT 1 1/4"	15 - 23	45	57.5	17	10
53113716	NPT 1 1/2"	22 - 29	54	61.5	17	5
53113717	NPT 2"	28 - 39	67	63.5	17	5

Last Update (14.05.2024)

©2024 Lapp Group - Technical changes reserved

 Product Management www.lappkabel.de

You can find the current technical data in the corresponding data sheet.

PN 0456 / 02_03_16