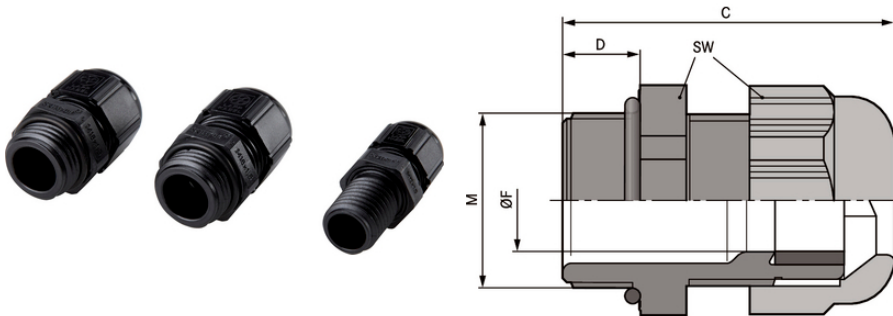


SKINTOP® SOLAR plus

SKINTOP® SOLAR plus Cable gland for Solar applications

Info

Cable gland for photovoltaik applications, based on EN 62444, EN 50548 and UL 1703
Extended temperature range



Benefits

- UV and ozone-resistant
- UL 746 C - UL F1 outdoor use
- High strain relief
- Permanent vibration protection
- Extremely flame-retardant according to UL 94V-0 / 94-5VA

Application range

Photovoltaic plants

Norm references / Approvals

UL File Nr. E79903

Product Make-up

Metric connection thread acc. to DIN EN 60423
Basis for technical information DIN IEC 62444

Technical Data

Classification ETIM 5:

ETIM 5.0 Class-ID: EC000441

ETIM 5.0 Class-Description: Cable screw gland

Classification ETIM 6:

ETIM 6.0 Class-ID: EC000441

ETIM 6.0 Class-Description: Cable screw gland

Caution:

Refer to Appendix T21 for the installation dimensions and torques

Colour delivered:

Black (RAL 9005), UV-resistant

Material:

Body: Polycarbonate

Last Update (23.04.2024)

©2024 Lapp Group - Technical changes reserved

Product Management www.lappkabel.de

You can find the current technical data in the corresponding data sheet.

PN 0456 / 02_03.16

SKINTOP® SOLAR plus

Tests:	Seal: Silicone O-Ring: Silicone Cold impact test according to UL 1703/UL 746 C
Protection rating:	IP 68 - 5 bar
Temperature range:	-40°C to +125°C

Note

Photographs and graphics are not to scale and do not represent detailed images of the respective products. Prices are net prices without VAT and surcharges. Sale to business customers only.

SKINTOP® SOLAR plus

Article number	Article designation / size	Ø F mm	SW wrench size mm	Overall length C mm	Thread length D mm	Pieces / PU
SKINTOP® SOLAR plus						
53113321	M 12 x 1,5	3.5 - 7	15	37.5	15	100
53113331	M 16 x 1,5	7 - 9	19	34.0	8	100

Last Update (23.04.2024)

©2024 Lapp Group - Technical changes reserved

Product Management www.lappkabel.de

You can find the current technical data in the corresponding data sheet.

PN 0456 / 02_03.16