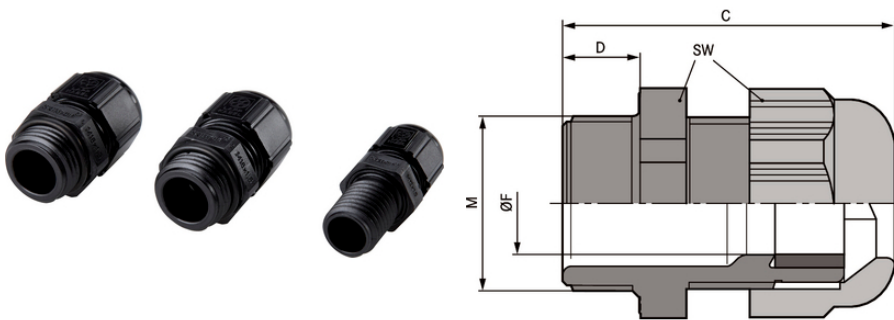


## SKINTOP® SOLAR

SKINTOP® SOLAR, plastic cable gland for photovoltaics, UV and ozone-resistant, with vibration protection and strain relief, extremely flame-retardant

### Info

Cable gland for photovoltaic applications, based on EN 62444, EN 50548 and UL 1703  
Extended temperature range



Solar Energy



Cold-resistant



Robust



UV-resistant



Variety of approval certifications

### Benefits

UV and ozone-resistant  
UL 746 C - UL F1 outdoor use  
High strain relief  
Permanent vibration protection  
Extremely flame-retardant according to UL 94V-0 / 94-5VA

### Application range

Photovoltaic plants

### Norm references / Approvals

Last Update (23.04.2024)  
©2024 Lapp Group - Technical changes reserved  
Product Management [www.lappkabel.de](http://www.lappkabel.de)  
You can find the current technical data in the corresponding data sheet.  
PN 0456 / 02\_03.16

## SKINTOP® SOLAR

UL File Nr. E79903

### Product Make-up

Metric connection thread acc. to DIN EN 60423  
Basis for technical information DIN IEC 62444

### Technical Data

Classification ETIM 5:	ETIM 5.0 Class-ID: EC000441 ETIM 5.0 Class-Description: Cable screw gland
Classification ETIM 6:	ETIM 6.0 Class-ID: EC000441 ETIM 6.0 Class-Description: Cable screw gland
Caution:	Refer to Appendix T21 for the installation dimensions and torques
Colour delivered:	Black (RAL 9005), UV-resistant
Material:	Body: Polycarbonate Seal: CR
Tests:	Cold impact test according to UL 1703/UL 746 C
Protection rating:	IP 68 - 5 bar
Temperature range:	-40°C to +100°C

### Note

Photographs and graphics are not to scale and do not represent detailed images of the respective products.  
Prices are net prices without VAT and surcharges. Sale to business customers only.

**SKINTOP® SOLAR**

Article number	Article designation / size	Ø F mm	SW wrench size mm	Overall length C mm	Thread length D mm	Pieces / PU
SKINTOP® SOLAR						
53113300	M 12 x 1,5	3.5 - 7	15	37.5	15	100
53113310	M 16 x 1,5	7 - 9	19	34.0	8	100

Last Update (23.04.2024)

©2024 Lapp Group - Technical changes reserved

Product Management [www.lappkabel.de](http://www.lappkabel.de)

You can find the current technical data in the corresponding data sheet.

PN 0456 / 02\_03.16