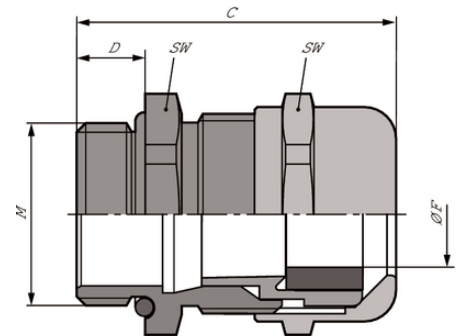


SKINTOP® COLD

SKINTOP® COLD, metric brass cable gland, high cold-resistance and cold impact resistance, high mechanical stability

Info

For extreme sub-zero temperatures



Good chemical resistance



Cold-resistant



Corrosion-resistant



Mechanical resistance



Temperature-resistant

Benefits

- High cold-resistance
- Cold impact resistance
- High mechanical stability
- Optimum strain relief
- Wide, variable clamping ranges

Application range

- In areas where mechanical stability and high cold-resistance are critical
- Air-conditioning technology
- Freezing plants, cold storage
- Offshore sector
- Plant engineering

Last Update (17.09.2019)

©2019 Lapp Group - Technical changes reserved

Product Management www.lappkabel.de

You can find the current technical data in the corresponding data sheet.

PN 0456 / 02_03.16

SKINTOP® COLD

Product Make-up

Metric connection thread acc. to DIN EN 60423
Basis for technical information DIN IEC 62444

Note

Counter nut to be used: SKINDICHT® SM-M
Refer to SKINTOP® metric accessories for suitable accessories

Technical Data

Classification ETIM 5:	ETIM 5.0 Class-ID: EC000441 ETIM 5.0 Class-Description: Cable screw gland
Classification ETIM 6:	ETIM 6.0 Class-ID: EC000441 ETIM 6.0 Class-Description: Cable screw gland
Caution:	Refer to Appendix T21 for the installation dimensions and torques
Material:	Body: nickel-plated brass Insert: special polyamide Sealing ring: silicone O-ring: silicone
Protection rating:	IP 68 - 10 bar (M12 - M20) IP 68 - 5 bar (M25 - M63) NEMA Tip 1, 2, 4X, 6, 12
Temperature range:	-70°C to +100°C

Note

Photographs and graphics are not to scale and do not represent detailed images of the respective products.
Prices are net prices without VAT and surcharges. Sale to business customers only.

SKINTOP® COLD

Article number	Article designation / size	Clamping range ØF mm	SW wrench size mm	Overall length C mm	Thread length D mm	Pieces / PU
SKINTOP® COLD						
53113500	M 12 x 1,5	3.5 - 7	16	26.5	6.5	100
53113510	M 16 x 1,5	4.5 - 10	20	33.0	7	100
53113520	M 20 x 1,5	7 - 13	24	37.0	8.5	50
53113530	M 25 x 1,5	9 - 17	29	38.5	8	25
53113540	M 32 x 1,5	11 - 21	36	45.5	9	25
53113550	M 40 x 1,5	19 - 28	45	48.0	9	10
53113560	M 50 x 1,5	27 - 35	54	55.5	10	5
53113570	M 63 x 1,5	34 - 45	67	67.0	15	5

Last Update (17.09.2019)

©2019 Lapp Group - Technical changes reserved

Product Management www.lappkabel.deYou can find the current technical data in the corresponding data sheet.
PN 0456 / 02_03.16