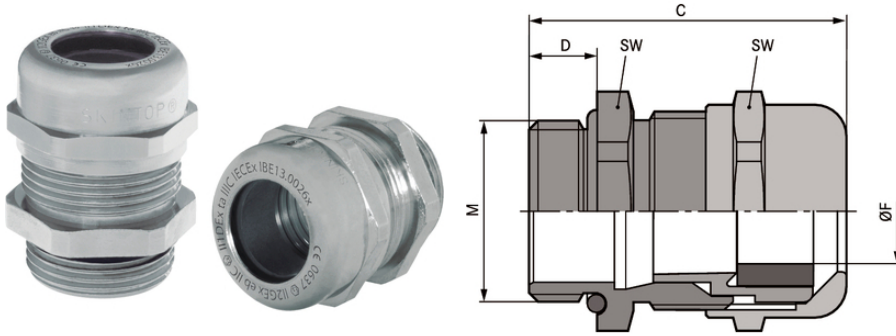


## SKINTOP® MS-M ATEX

SKINTOP® MS-M ATEX, anti-static brass cable gland with cold impact resistance and maximum reliability, explosion-proof



-  Oil & Gas
-  Good chemical resistance
-  Mechanical resistance
-  Optimum strain relief
-  Reliability
-  Variety of approval certifications

### Benefits

- Cold impact resistance
- High strain relief
- Wide, variable clamping ranges
- Maximum reliability

### Application range

- Devices, machines and apparatus of enhanced safety protection type "e", dust ignition proof "t"
- Equipment group II / Category 2G+1D
- For mobile applications in offshore and marine industries
- Chemical and petrochemical industry

### Product features

Last Update (17.09.2019)  
 ©2019 Lapp Group - Technical changes reserved  
 Product Management [www.lappkabel.de](http://www.lappkabel.de)  
 You can find the current technical data in the corresponding data sheet.  
 PN 0456 / 02\_03.16

## SKINTOP® MS-M ATEX

SKINTOP® MS-M-XL ATEX is similar to the SKINTOP® MS-M ATEX, but has an extended connection thread for thick walls

### Norm references / Approvals

UL File Nr. E79903

### Product Make-up

Metric connection thread acc. to DIN EN 60423

Basis for technical information DIN IEC 62444

### Note

Refer to SKINTOP® SDV-M ATEX for suitable accessories

### Technical Data

Classification ETIM 5:	ETIM 5.0 Class-ID: EC000441 ETIM 5.0 Class-Description: Cable screw gland
Classification ETIM 6:	ETIM 6.0 Class-ID: EC000441 ETIM 6.0 Class-Description: Cable screw gland
Caution:	Refer to the instruction leaflet for the installation dimensions and torques
Certifications:	CE 0637 Ex II 2G Ex eb IIC Ex II 1D Ex ta IIIC IECEx IBE 13.0026X
Material:	Body: nickel-plated brass Insert: polyamide Sealing: CR O-ring: NBR
Tests:	DIN EN 60079-0 DIN EN 60079-7 DIN EN 60079-31
Protection rating:	IP 68 - 10 bar
Temperature range:	-30°C to +90°C

### Note

Photographs and graphics are not to scale and do not represent detailed images of the respective products. Prices are net prices without VAT and surcharges. Sale to business customers only.

**SKINTOP® MS-M ATEX**

Article number	Article designation / size	Clamping range ØF mm	SW wrench size mm	Overall length C mm	Thread length D mm	Pieces / PU
<b>SKINTOP® MS-M ATEX</b>						
53112700	M 12 x 1,5	3.0 - 7.0	16	26.5	6.5	100
53112710	M 16 x 1,5	4.5 - 10.0	20	33.0	7	100
53112720	M 20 x 1,5	7.0 - 13.0	24	37.0	8.5	50
53112730	M 25 x 1,5	9.0 - 17.0	29	38.5	8	25
53112740	M 32 x 1,5	11.0 - 21.0	36	45.5	9	25
53112750	M 40 x 1,5	19.0 - 28.0	45	48.0	9	10
53112760	M 50 x 1,5	26.0 - 35.0	54	55.5	10	5
53112770	M 63 x 1,5	34.0 - 45.0	67	67.0	15	5
53112779	M 63 x 1,5 plus	44.0 - 55.0	75	65.5	15	1
<b>SKINTOP® MS-M-XL ATEX</b>						
53112800	M 12 x 1,5	3.0 - 7.0	16	26.0	12	100
53112810	M 16 x 1,5	4.5 - 10.0	20	33.0	12	100
53112820	M 20 x 1,5	7.0 - 13.0	24	37.0	12	50
53112830	M 25 x 1,5	9.0 - 17.0	29	38.5	12	25
53112840	M 32 x 1,5	11.0 - 21.0	36	45.5	15	25
53112850	M 40 x 1,5	19.0 - 28.0	45	48.0	15	10
53112860	M 50 x 1,5	26.0 - 35.0	54	55.5	15	5

Last Update (17.09.2019)

©2019 Lapp Group - Technical changes reserved

 Product Management [www.lappkabel.de](http://www.lappkabel.de)

 You can find the current technical data in the corresponding data sheet.  
 PN 0456 / 02\_03\_16