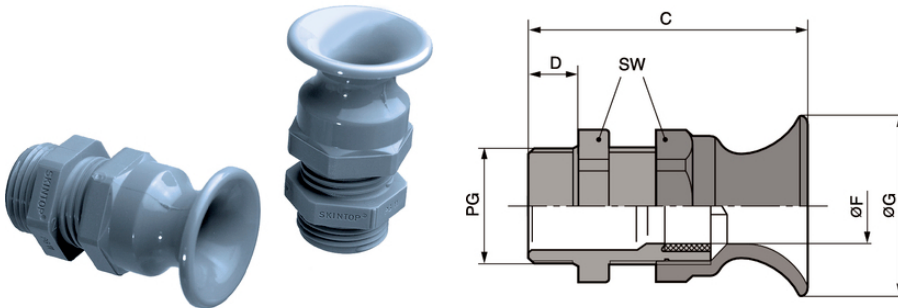


SKINTOP® BT

SKINTOP® BT, polyamide cable gland with reliable bending and anti-kink protection for cable conservation, for moving machine parts



Good chemical resistance



Wide clamping range



Mechanical resistance



Optimum strain relief



Temperature-resistant



Variety of approval certifications

Benefits

Reliable bending and anti-kink protection
 Cable conservation
 Functional reliability
 To protect flexible cables

Application range

Cables for electrical appliances and machinery that are moved under normal use must be protected against excessive bending as required in accordance with VDE 0700-1

Handheld device
 Apparatus construction
 Light and sound applications
 Moving machine parts

Last Update (15.02.2020)

©2020 Lapp Group - Technical changes reserved

Product Management www.lappkabel.de

You can find the current technical data in the corresponding data sheet.

PN 0456 / 02_03.16

SKINTOP® BT

Norm references / Approvals

UL File Nr. E79903

Product Make-up

PG connection thread acc. to DIN 40430

Technical Data

Classification ETIM 5:	ETIM 5.0 Class-ID: EC000441 ETIM 5.0 Class-Description: Cable screw gland
Classification ETIM 6:	ETIM 6.0 Class-ID: EC000441 ETIM 6.0 Class-Description: Cable screw gland
Caution:	Refer to Appendix T21 for the installation dimensions and torques
Colour delivered:	Silver grey (RAL 7001)
Material:	Body: Polyamide Seal: CR
Protection rating:	IP 68 - 5 bar
Temperature range:	-20°C to +100°C

Note

Photographs and graphics are not to scale and do not represent detailed images of the respective products. Prices are net prices without VAT and surcharges. Sale to business customers only.

SKINTOP® BT

Article number	Article designation / size	Ø F mm	SW wrench size mm	Overall length C (mm)	Thread length D mm	Pieces / PU
SKINTOP® BT silver grey						
53015410	PG 9	3.5 - 8	19	42.9	8	100
53015420	PG 11	4 - 10	22	47.7	8	100
53015430	PG 13,5	6 - 12	24	52.0	9	50
53015440	PG 16	9 - 14	27	55.9	10	50
53015450	PG 21	13 - 18	33	64.4	11	50

Last Update (15.02.2020)

©2020 Lapp Group - Technical changes reserved

Product Management www.lappkabel.deYou can find the current technical data in the corresponding data sheet.
PN 0456 / 02_03.16