

EPIC® POWER LS1.5 A3

Circular connectors for servomotors and power supply

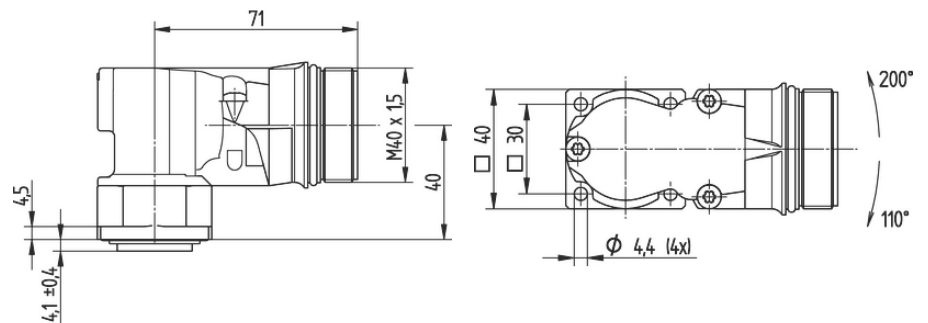
EPIC® LS1.5 panel base for male contacts angled, swivel

Info

rotateable with 310° cable outlet

The contacts have to be ordered separately

Made in Germany



Mechanical and plant engineering



Wide clamping range



Mechanical resistance



Optimum strain relief



Robust



Interference signals



Waterproof

Benefits

more power for servo motors

Vibration-proof rugged design

EMC version for cables with large cross-sections

Application range

Plant engineering

Servo drives and servo assemblies

Last Update (13.07.2024)

©2024 Lapp Group - Technical changes reserved

Product Management www.lappkabel.de

You can find the current technical data in the corresponding data sheet.

PN 0456 / 02_03.16

EPIC® POWER LS1.5 A3

Technical Data

Classification ETIM 5:	ETIM 5.0 Class-ID: EC002635 ETIM 5.0 Class-Description: Circular connector (industrial connector)
Classification ETIM 6:	ETIM 6.0 Class-ID: EC002635 ETIM 6.0 Class-Description: Circular connector (industrial connector)
Rated voltage (V):	630 V (3.6 mm contacts) 250 V (2 mm contacts)
Rated impulse voltage:	6 kV (3.6 mm contacts) 4 kV (2 mm contacts)
Rated current (A):	70 A (3.6-mm contacts) at 25 °C 30 A (2-mm contacts) at 25 °C
Pollution degree:	3
Contacts:	Gold-plated brass
Number of contacts:	3+PE+2(3.6mm/2mm) 3+PE+4(3.6mm/2mm)
Termination methods:	Crimp termination: 0.75 - 10 mm ² (3.6 mm contacts) Crimp termination: 0.14 - 4.0 mm ² (2 mm contacts)
Material:	Housing: nickel-plated zinc die-casting, nickel-plated brass Insert: PA, Seal: FPM
Protection rating:	IP 67
Cycle of mechanical operation:	50
Temperature range:	-20 °C to +125 °C

Note

Photographs and graphics are not to scale and do not represent detailed images of the respective products. Prices are net prices without VAT and surcharges. Sale to business customers only.

EPIC® POWER LS1.5 A3

Article number	Article description	Fastening type	Pin configuration	Packaging unit
Type LS1.5 A3 for male contacts				
44429306	EPIC® POWER LS1.5 A3	Ø 4.2 mm (4x)	3+PE+2	1
44429307	EPIC® POWER LS1.5 A3	Ø 4.2 mm (4x)	3+PE+4	1

Last Update (13.07.2024)

©2024 Lapp Group - Technical changes reserved

Product Management www.lappkabel.de

You can find the current technical data in the corresponding data sheet.

PN 0456 / 02_03_16