

EPIC® POWER LS3 A1

Circular connectors for servomotors and power supply

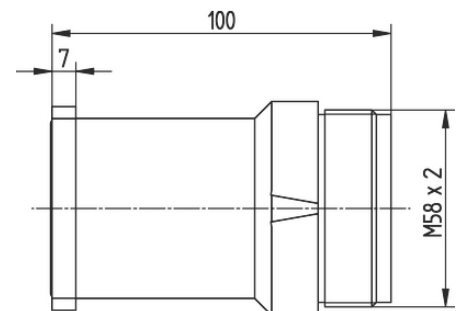
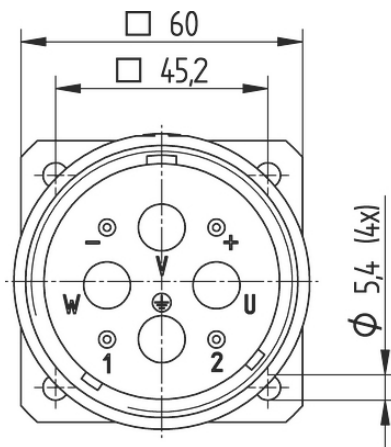
EPIC® LS3 panel base for male contacts

Info

Robust power supply connector

The contacts have to be ordered separately

Made in Germany



Robust



Reliability



Interference signals



Waterproof

Benefits

more power for servo motors

Robust against mechanical impacts

EMC protection

Application range

Plant engineering

Servo drives and servo assemblies

Technical Data

Classification ETIM 5:

ETIM 5.0 Class-ID: EC002635

ETIM 5.0 Class-Description: Circular connector (industrial connector)

Classification ETIM 6:

ETIM 6.0 Class-ID: EC002635

ETIM 6.0 Class-Description: Circular connector (industrial connector)

Last Update (10.12.2022)

©2022 Lapp Group - Technical changes reserved

Product Management www.lappkabel.de

You can find the current technical data in the corresponding data sheet.

PN 0456 / 02_03.16

EPIC® POWER LS3 A1

Rated voltage (V):	630 V (10 mm contacts) 250 V (1.6 mm contacts)
Rated impulse voltage:	6 kV (10 mm contacts) 4 kV (1.6 mm contacts)
Rated current (A):	150 A (10-mm contacts) at 25 °C 12 A (1.6-mm contacts) at 25 °C
Pollution degree:	3
Contacts:	Silver-plated brass Gold-plated brass
Number of contacts:	3+PE+2(10mm/1.6mm) 3+PE+4(10mm/1.6mm)
Termination methods:	Crimp termination 10 - 50 mm ² (10 mm contacts) Crimp termination 0.75 - 1.5 mm ² (1.6 mm contacts)
Material:	Housing: anodised aluminium Insert: PA Seal: FPM
Protection rating:	IP 67
Cycle of mechanical operation:	50
Temperature range:	-20 °C až la +120 °C

Note

Photographs and graphics are not to scale and do not represent detailed images of the respective products.
Prices are net prices without VAT and surcharges. Sale to business customers only.

EPIC® POWER LS3 A1

Article number	Article description	Fastening type	Pin configuration	Pieces / PU
Type LS3 A1 for male contacts				
44429352	LS3 A1	Ø 4.2 mm (4x)	3+PE+2	1
44429353	LS3 A1	Ø 4.2 mm (4x)	3+PE+4	1

Last Update (10.12.2022)

©2022 Lapp Group - Technical changes reserved

Product Management www.lappkabel.de

You can find the current technical data in the corresponding data sheet.

PN 0456 / 02_03.16