

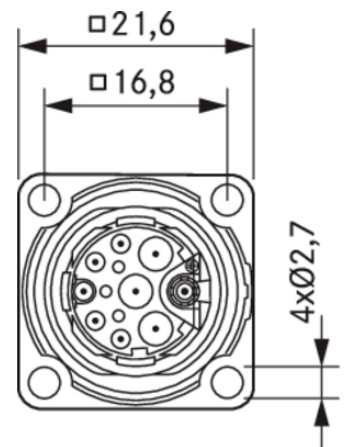
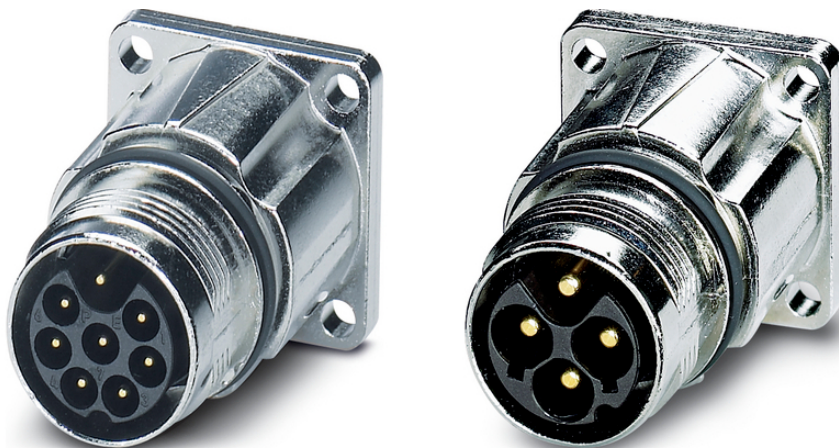
## EPIC® POWER M17 A1

Circular connectors for servomotors and power supply

EPIC® M17 POWER panel mount base

### Info

High Power with smallest space requirements  
 The contacts have to be ordered separately  
 Made in Germany



Mechanical and plant engineering



Mechanical resistance



Optimum strain relief



Space requirement



Interference signals



Waterproof

### Benefits

Version with less contacts for higher current  
 sensor/ ac  
 EMC protection

### Application range

Servo drives and servo assemblies  
 Plant engineering, machinery manufacturing

### Technical Data

Classification ETIM 5:

ETIM 5.0 Class-ID: EC002635

Last Update (12.06.2024)

©2024 Lapp Group - Technical changes reserved

Product Management [www.lappkabel.de](http://www.lappkabel.de)

You can find the current technical data in the corresponding data sheet.

PN 0456 / 02\_03.16

## EPIC® POWER M17 A1

	ETIM 5.0 Class-Description: Circular connector (industrial connector)
Classification ETIM 6:	ETIM 6.0 Class-ID: EC002635 ETIM 6.0 Class-Description: Circular connector (industrial connector)
Rated voltage (V):	630V: 2mm and 1mm contacts 60V: 0,6mm contacts
Rated impulse voltage:	6KV: 2mm and 1mm contacts 1.5KV: 0.6mm contacts
Rated current (A):	3+PE: 20A, 5+PE/6+PE/7+PE:14A, 3+PE+5:14A/3,6A
Pollution degree:	3
Contacts:	Gold-plated brass
Number of contacts:	3+PE, 5+PE, 6+PE, 7+PE, 3+PE+5 Contacts:3+PE(2mm), 5+PE(1mm), 6+PE(1mm), 7+PE(1mm), 3+PE+5(1mm/0.6mm)
Termination methods:	Crimp: 3+PE: 0.5-2.5mm <sup>2</sup> , 5+PE/6+PE/7+PE: 0.06-1mm <sup>2</sup> , 3+P+5: 0.06-1/0.06-0.5mm <sup>2</sup>
Material:	Housing: nickel-plated zinc die-casting, nickel-plated brass Insert: PA, Seal: FPM
Protection rating:	IP 67
Cycle of mechanical operation:	100
Temperature range:	-40°C to +125°C

### Note

Photographs and graphics are not to scale and do not represent detailed images of the respective products.  
Prices are net prices without VAT and surcharges. Sale to business customers only.

**EPIC® POWER M17 A1**

Article number	Article description	Fastening type	Pin configuration	Pieces / PU
Type M17 A1, front wall mounting				
44423075	EPIC® M17 female	Ø 2.7 mm (4x)	3+PE (2mm contacts)	5
44423070	EPIC® M17 male	Ø 2.7 mm (4x)	3+PE (2mm contacts)	5
44423076	EPIC® M17 female	Ø 2.7 mm (4x)	5+PE (1mm contacts)	5
44423071	EPIC® M17 male	Ø 2.7 mm (4x)	5+PE (1mm contacts)	5
44423077	EPIC® M17 female	Ø 2.7 mm (4x)	6+PE (1mm contacts)	5
44423072	EPIC® M17 male	Ø 2.7 mm (4x)	6+PE (1mm contacts)	5
44423078	EPIC® M17 female	Ø 2.7 mm (4x)	7+PE (1mm contacts)	5
44423073	EPIC® M17 male	Ø 2.7 mm (4x)	7+PE (1mm contacts)	5
44423079	EPIC® M17 female	Ø 2.7 mm (4x)	3+PE+5 (1mm/0.6mm contacts)	5

Last Update (12.06.2024)

©2024 Lapp Group - Technical changes reserved

Product Management [www.lappkabel.de](http://www.lappkabel.de)

You can find the current technical data in the corresponding data sheet.

PN 0456 / 02\_03\_16

## EPIC® POWER M17 A1

