

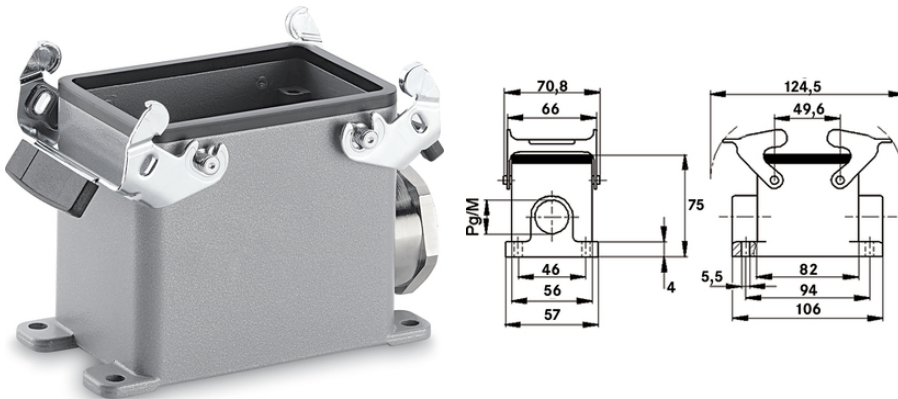
## EPIC® H-A 32 SGR

Rugged housings for 2 inserts

The compact, robust metal housing for double size H-A 32 is ideal for machine and device manufacturing and in control systems.

### Info

Compact, robust metal housings for double size H-A 32



Waterproof



Robust



Mechanical resistance



Mechanical and plant engineering

### Benefits

For two inserts of the small H-A, H-D and STA series. Space-saving

### Application range

Machine and equipment manufacturing  
Control engineering

### Product features

Surface-mount base  
Dual levers  
1 cable entry

### Technical Data

Classification ETIM 5:

ETIM 5.0 Class-ID: EC000437

ETIM 5.0 Class-Description: Housing for industrial connectors

Last Update (19.12.2022)

©2022 Lapp Group - Technical changes reserved

Product Management [www.lappkabel.de](http://www.lappkabel.de)

You can find the current technical data in the corresponding data sheet.

PN 0456 / 02\_03.16

## EPIC® H-A 32 SGR

Classification ETIM 6:	ETIM 6.0 Class-ID: EC000437 ETIM 6.0 Class-Description: Housing for industrial connectors
Material:	Housing: aluminium alloy, grey Lever: zinc-plated steel Sealing: NBR
Protection rating:	IP 65 (latched)
VDE-tested:	UL-tested: UL File Number: E75770
Temperature range:	-40°C to +100°C, short-term up to +125°C

### Note

Photographs and graphics are not to scale and do not represent detailed images of the respective products.  
Prices are net prices without VAT and surcharges. Sale to business customers only.

**EPIC® H-A 32 SGR**

Article number	Article description	M	PG	Neck
H-A housing: surface-mount base (1 cable entry, double lever)				
10474000	H-A 32 SGR 21	-	21	yes
10474100	H-A 32 SGR 29	-	29	yes
19474000	H-A 32 SGR M25	25	-	yes
19474100	H-A 32 SGR M32	32	-	yes

Last Update (19.12.2022)

©2022 Lapp Group - Technical changes reserved

Product Management [www.lappkabel.de](http://www.lappkabel.de)

You can find the current technical data in the corresponding data sheet.

PN 0456 / 02\_03\_16