

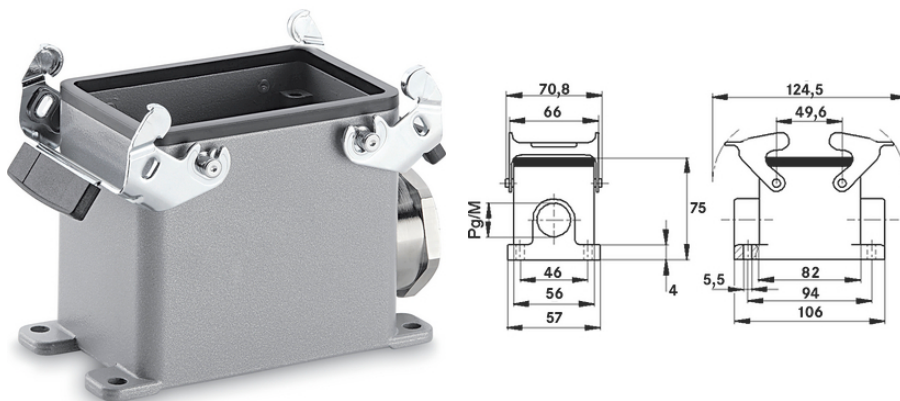
## EPIC® H-A 32 SGRL

Rugged housings for 2 inserts

The robust housing for rectangular connectors consists of 2 double levers and 2 cable entries and can be used, for example, in control systems.

### Info

Compact, robust metal housings for double size H-A 32



Mechanical and plant engineering



Mechanical resistance



Robust



Waterproof

### Benefits

For two inserts of the small H-A, H-D and STA series. Space-saving  
M40 housing extension on M50 with SKINTOP 53112083 possible (clamping range 27 - 35 mm)

### Application range

Machine and equipment manufacturing  
Control engineering

### Product features

Surface-mount base  
Dual levers  
2 cable entries

Last Update (28.05.2023)

©2023 Lapp Group - Technical changes reserved

Product Management [www.lappkabel.de](http://www.lappkabel.de)

You can find the current technical data in the corresponding data sheet.

PN 0456 / 02\_03.16

## EPIC® H-A 32 SGRL

### Technical Data

Classification ETIM 5:	ETIM 5.0 Class-ID: EC000437 ETIM 5.0 Class-Description: Housing for industrial connectors
Classification ETIM 6:	ETIM 6.0 Class-ID: EC000437 ETIM 6.0 Class-Description: Housing for industrial connectors
Material:	Housing: aluminium alloy, grey Lever: zinc-plated steel Sealing: NBR
Protection rating:	IP 65 (latched)
Temperature range:	-40°C to +100°C, short-term up to +125°C

### Note

Photographs and graphics are not to scale and do not represent detailed images of the respective products.  
Prices are net prices without VAT and surcharges. Sale to business customers only.

**EPIC® H-A 32 SGRL**

Article number	Article description	M	PG	Neck	Pieces / PU
H-A housing: surface-mount base (2 cable entries, double lever)					
10482000	H-A 32 SGRL 21	-	21	yes	5
19482000	H-A 32 SGRL M25	25	-	yes	5
19482100	H-A 32 SGRL M32 ZW	32	-	yes	5
79506800	H-A 32 SGRL M40	40	-	-	5

Last Update (28.05.2023)

©2023 Lapp Group - Technical changes reserved

Product Management [www.lappkabel.de](http://www.lappkabel.de)

You can find the current technical data in the corresponding data sheet.

PN 0456 / 02\_03\_16