

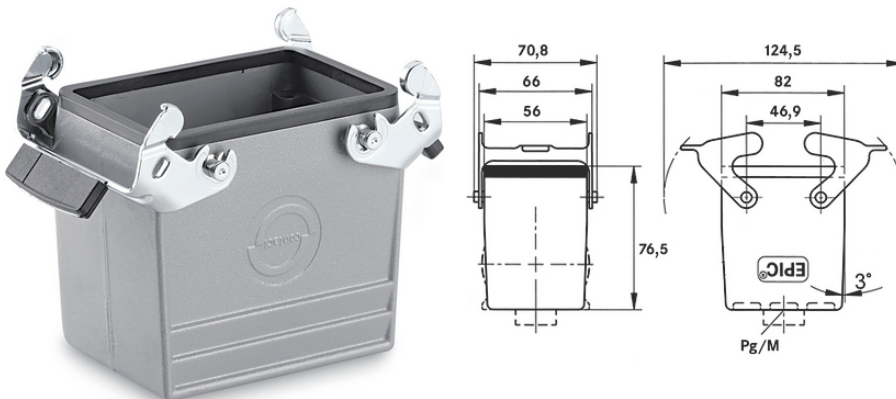
EPIC® H-A 32 TBF

Rugged housings for 2 inserts

Control systems and machine and device manufacturing are two areas for which the metal housing with 2 narrow inserts for rectangular connectors is ideally suited.

Info

Compact, robust metal housings for double size H-A 32



Mechanical and plant engineering



Mechanical resistance



Robust



Waterproof

Benefits

For two inserts of the small H-A, H-D and STA series. Space-saving

Application range

Machine and equipment manufacturing

Control engineering

Product features

Cable coupler hood

Dual levers

Straight cable entry

Versions with / without neck

Last Update (03.10.2025)

©2025 Lapp Group - Technical changes reserved

Product Management www.lappkabel.de

You can find the current technical data in the corresponding data sheet.

PN 0456 / 02_03.16

EPIC® H-A 32 TBF

Technical Data

Classification ETIM 5:	ETIM 5.0 Class-ID: EC000437 ETIM 5.0 Class-Description: Housing for industrial connectors
Classification ETIM 6:	ETIM 6.0 Class-ID: EC000437 ETIM 6.0 Class-Description: Housing for industrial connectors
Material:	Housing: aluminium alloy, grey Lever: zinc-plated steel Sealing: NBR
Protection rating:	IP 65 (latched)
Temperature range:	-40°C to +100°C, short-term up to +125°C

Note

Photographs and graphics are not to scale and do not represent detailed images of the respective products.
Prices are net prices without VAT and surcharges. Sale to business customers only.



EPIC® H-A 32 TBF

Article number	Article description	M	Packaging unit
19588000	H-A 32 TBF M25	25	5
19588500	H-A 32 TBF M32	32	5

Last Update (03.10.2025)

©2025 Lapp Group - Technical changes reserved

Product Management www.lappkabel.de

You can find the current technical data in the corresponding data sheet.

PN 0456 / 02_03_16