

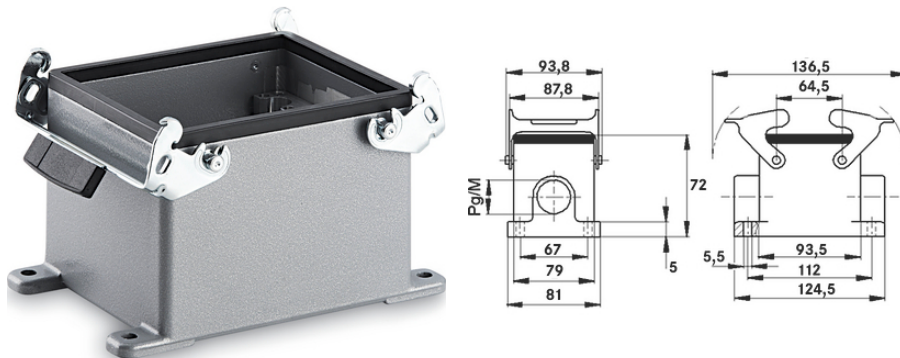
## EPIC® H-A 48 SGR

Rugged housings for 3 inserts

The highly flexible metal housing can accommodate 3 inserts and is ideal for control systems or machine and device manufacturing.

### Info

Compact, robust metal housings for double size H-A 48



Mechanical and plant engineering



Mechanical resistance



Robust



Waterproof

### Benefits

Three different inserts, each suitable for housing type H-A 16, can be integrated in this housing. High flexibility M40 housing extension on M50 with SKINTOP 53112083 possible (clamping range 27 - 35 mm)

### Application range

Machine and equipment manufacturing  
Control engineering

### Product features

Surface-mount base  
Dual levers  
1 cable entry

Last Update (12.07.2024)

©2024 Lapp Group - Technical changes reserved

Product Management [www.lappkabel.de](http://www.lappkabel.de)

You can find the current technical data in the corresponding data sheet.

PN 0456 / 02\_03.16

## EPIC® H-A 48 SGR

### Technical Data

Classification ETIM 5:	ETIM 5.0 Class-ID: EC000437 ETIM 5.0 Class-Description: Housing for industrial connectors
Classification ETIM 6:	ETIM 6.0 Class-ID: EC000437 ETIM 6.0 Class-Description: Housing for industrial connectors
Material:	Housing: powder-coated aluminium alloy, grey Lever: zinc-plated steel Sealing: NBR
Protection rating:	IP 65 (latched)
Temperature range:	-40°C to +100°C, short-term up to +125°C

### Note

Photographs and graphics are not to scale and do not represent detailed images of the respective products.  
Prices are net prices without VAT and surcharges. Sale to business customers only.



## EPIC® H-A 48 SGR

Article number	Article description	M	PG	Neck	Packaging unit
H-A housing: surface-mount base (1 cable entry, double lever)					
10633800	H-A 48 SGR 29	-	29	yes	1
19638600	H-A 48 SGR M40	40	-	-	1

Last Update (12.07.2024)

©2024 Lapp Group - Technical changes reserved

Product Management [www.lappkabel.de](http://www.lappkabel.de)

You can find the current technical data in the corresponding data sheet.

PN 0456 / 02\_03\_16