

## EPIC® H-B 10 AD-LB

Housing design H-B. The industry standard.

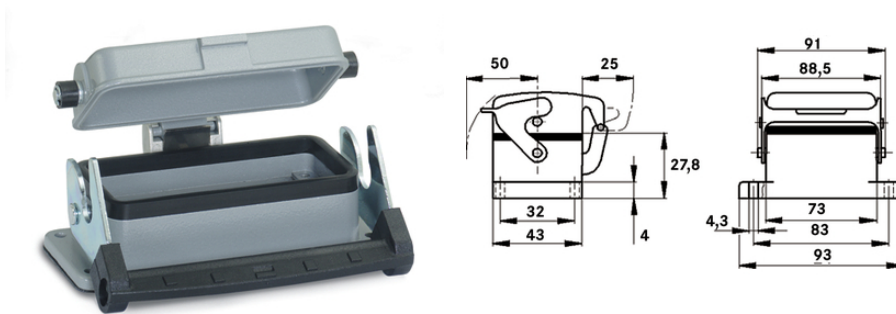
The metal housing consists of a single lever and a seal and can be used, for example, in investment construction or lighting and sound systems.

### Info

Single Lever version for quick locking and simple unlocking with lifting aid

Metal lid with sturdy hinge

Protection rating UL50E tested



Waterproof



Robust



Mechanical resistance



Mechanical and plant engineering



Kompletterande automationskomponenter från Lapp

### Benefits

The smallest housing with single and double lever. The right housing is available for every application

### Application range

Plant engineering

Light & sound technology

Plastics industry

Last Update (05.07.2019)

©2019 Lapp Group - Technical changes reserved

Product Management [www.lappkabel.de](http://www.lappkabel.de)

You can find the current technical data in the corresponding data sheet.

PN 0456 / 02\_03.16

## EPIC® H-B 10 AD-LB

### Product features

H-A case: Wall base  
Included: flat gasket  
Standard and high version  
Metal cover  
Single lever

### Technical Data

|                        |  |
|------------------------|--|
| Classification ETIM 5: | ETIM 5.0 Class-ID: EC000437<br>ETIM 5.0 Class-Description: Housing for industrial connectors |
| Classification ETIM 6: | ETIM 6.0 Class-ID: EC000437<br>ETIM 6.0 Class-Description: Housing for industrial connectors |
| Material:              | Housing: powder-coated aluminium alloy, grey<br>Lever: zinc-plated steel<br>Sealing: NBR     |
| Protection rating:     | IP 65 (latched)<br>NEMA 250, UL50E: 12 (latched)   |
| VDE-tested:            | Certified production control: VDE-REG. no.: B437<br>UL-tested:<br>UL File Number: E75770     |
| Temperature range:     | -40°C to +100°C, short-term up to +125°C   |

### Note

Photographs and graphics are not to scale and do not represent detailed images of the respective products.  
Prices are net prices without VAT and surcharges. Sale to business customers only.

**EPIC® H-B 10 AD-LB**

| Article number                                      | Article description | M  | Pieces / PU |
|---|---------------------|----|-------------|
| H-B housing: panel-mount base (cover, single lever) |                     |    |             |
| 10033900  | H-B 10 AD-LB        | AG | 10          |

Last Update (05.07.2019)

©2019 Lapp Group - Technical changes reserved

Product Management [www.lappkabel.de](http://www.lappkabel.de)

You can find the current technical data in the corresponding data sheet.

PN 0456 / 02\_03.16