

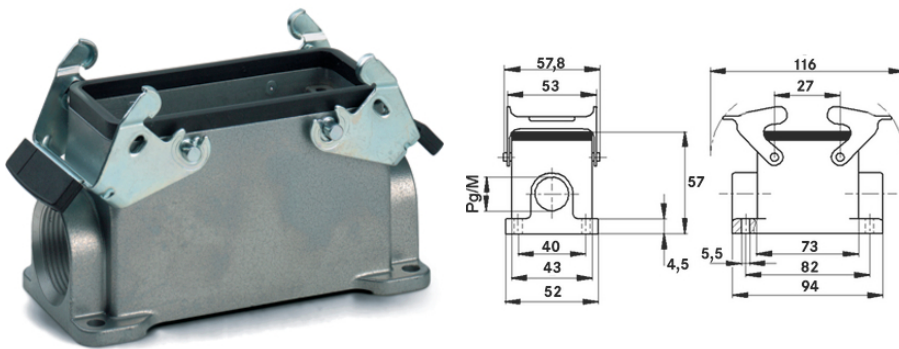
## EPIC® H-B 10 SGR

Housing design H-B. The industry standard.

The robust universal housing is suitable for use in the plastics industry and consists of 2 double levers and 1 cable entry.

### Info

Double lever version with 2 levers for increased safety



Supplementary automation components from Lapp



Mechanical and plant engineering



Mechanical resistance



Robust



Waterproof

### Benefits

The smallest housing with single and double lever. The right housing is available for every application

### Application range

Plant engineering  
Light & sound technology  
Plastics industry

### Product features

Surface-mount base, low version  
Dual levers

Last Update (13.12.2022)

©2022 Lapp Group - Technical changes reserved

Product Management [www.lappkabel.de](http://www.lappkabel.de)

You can find the current technical data in the corresponding data sheet.

PN 0456 / 02\_03.16

## EPIC® H-B 10 SGR

1 cable entry

### Technical Data

Classification ETIM 5:	ETIM 5.0 Class-ID: EC000437 ETIM 5.0 Class-Description: Housing for industrial connectors
Classification ETIM 6:	ETIM 6.0 Class-ID: EC000437 ETIM 6.0 Class-Description: Housing for industrial connectors
Material:	Housing: powder-coated aluminium alloy, grey Lever: zinc-plated steel Sealing: NBR
Protection rating:	IP 65 (latched) NEMA 250, UL50E: 12, 4 (latched)
VDE-tested:	Certified production control: VDE-REG. no.: B437 UL-tested: UL File Number: E75770
Temperature range:	-40°C to +100°C, short-term up to +125°C

### Note

Photographs and graphics are not to scale and do not represent detailed images of the respective products. Prices are net prices without VAT and surcharges. Sale to business customers only.



## EPIC® H-B 10 SGR

Article number	Article description	M	PG	Pieces / PU
H-B housing: surface-mount base (1 cable entry, double lever)				
10034000	H-B 10 SGR 16	-	16	10
19034000	H-B 10 SGR M20	20	-	10
19034100	H-B 10 SGR M25	25	-	10

Last Update (13.12.2022)

©2022 Lapp Group - Technical changes reserved

Product Management [www.lappkabel.de](http://www.lappkabel.de)

You can find the current technical data in the corresponding data sheet.

PN 0456 / 02\_03\_16