

EPIC® H-B 10 SGRH-LB

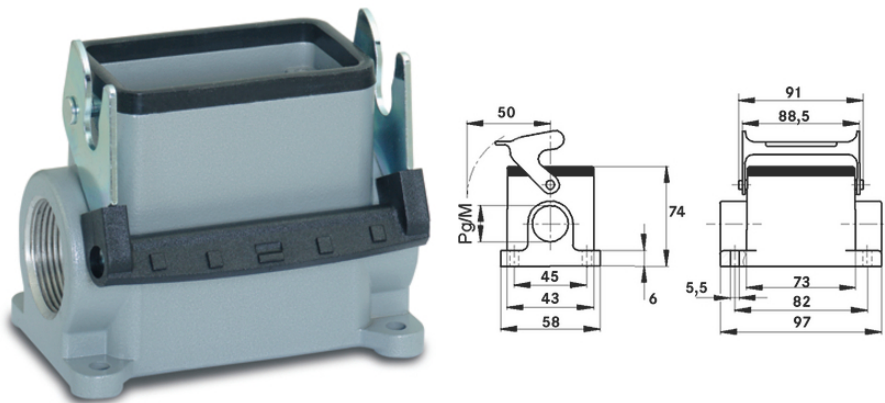
Housing design H-B. The industry standard.

The high housing is intended for rectangular connectors, consists of a single lever and a cable entry and can be used, for example, in the plastics industry.

Info

Single Lever version for quick locking and simple unlocking with lifting aid

Protection rating UL50E tested



Supplementary automation components from Lapp



Mechanical and plant engineering



Mechanical resistance



Robust



Waterproof

Benefits

The smallest housing with single and double lever. The right housing is available for every application

Application range

Plant engineering
Light & sound technology
Plastics industry

Product features

Last Update (21.02.2026)

©2026 Lapp Group - Technical changes reserved

Product Management www.lappkabel.de

You can find the current technical data in the corresponding data sheet.

PN 0456 / 02_03.16

EPIC® H-B 10 SGRH-LB

Surface-mount base, high version
Single lever
1 cable entry

Technical Data

Classification ETIM 5:	ETIM 5.0 Class-ID: EC000437 ETIM 5.0 Class-Description: Housing for industrial connectors
Classification ETIM 6:	ETIM 6.0 Class-ID: EC000437 ETIM 6.0 Class-Description: Housing for industrial connectors
Material:	Housing: powder-coated aluminium alloy, grey Lever: zinc-plated steel Sealing: NBR
Protection rating:	IP 65 (latched) NEMA 250, UL50E: 12 (latched)
VDE-tested:	Certified production control: VDE-REG. no.: B437 UL-tested: UL File Number: E75770
Temperature range:	-40°C to +100°C, short-term up to +125°C

Note

Photographs and graphics are not to scale and do not represent detailed images of the respective products.
Prices are net prices without VAT and surcharges. Sale to business customers only.



EPIC® H-B 10 SGRH-LB

Article number	Article description	M	PG	Packaging unit
H-B housing: surface-mount base (1 cable entry, single lever, high version)				
70060200	H-B 10 SGRH-LB 21	-	21	10
79060200	H-B 10 SGRH-LB M25	25	-	10
79060400	H-B 10 SGRH-LB M32	32	-	10

Last Update (21.02.2026)

©2026 Lapp Group - Technical changes reserved

Product Management www.lappkabel.de

You can find the current technical data in the corresponding data sheet.

PN 0456 / 02_03_16