

## EPIC® H-B 10 TGBH

Housing design H-B. The industry standard.

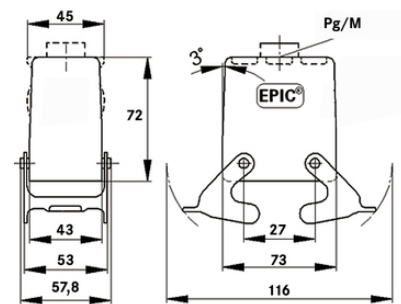
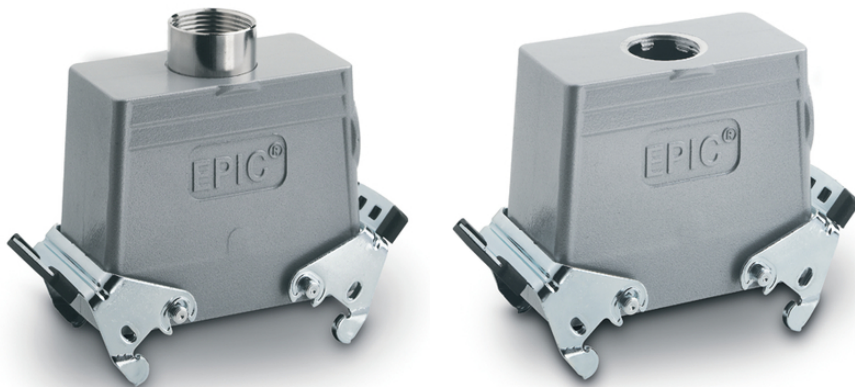
The robust metal housing for rectangular connectors with a direct cable entry and 2 double levers is ideal for use in investment construction.

### Info

More interior space for wiring

For connection with counterpart with integrated cover

Protection rating UL50E tested



Waterproof



Robust



Mechanical resistance



Mechanical and plant engineering



Kompletterande automationskomponenter från Lapp

### Benefits

The smallest housing with single and double lever. The right housing is available for every application  
Double lever version with 2 levers for increased safety

### Application range

Plant engineering

Light & sound technology

Plastics industry

Last Update (07.07.2019)

©2019 Lapp Group - Technical changes reserved

Product Management [www.lappkabel.de](http://www.lappkabel.de)

You can find the current technical data in the corresponding data sheet.

PN 0456 / 02\_03.16

## EPIC® H-B 10 TGBH

### Product features

Hood, high version  
Dual levers  
Straight cable entry  
Versions with / without neck

### Technical Data

Classification ETIM 5:	ETIM 5.0 Class-ID: EC000437 ETIM 5.0 Class-Description: Housing for industrial connectors
Classification ETIM 6:	ETIM 6.0 Class-ID: EC000437 ETIM 6.0 Class-Description: Housing for industrial connectors
Material:	Housing: powder-coated aluminium alloy, grey Lever: zinc-plated steel Sealing: NBR
Protection rating:	IP 65 (latched) NEMA 250, UL50E: 12, 4 (latched)
VDE-tested:	Certified production control: VDE-REG. no.: B437 UL-tested: UL File Number: E75770
Temperature range:	-40°C to +100°C, short-term up to +125°C

### Note

Photographs and graphics are not to scale and do not represent detailed images of the respective products.  
Prices are net prices without VAT and surcharges. Sale to business customers only.

**EPIC® H-B 10 TGBH**

Article number	Article description	M	PG	Neck	Pieces / PU
H-B housing: hood (straight cable entry, double lever, high version)					
70055200	H-B 10 TGBH 21	-	21	yes	10
70055400	H-B 10 TGBH 29	-	29	yes	10
79055200	H-B 10 TGBH M25	25	-	-	10
79055400	H-B 10 TGBH M32	32	-	-	10

Last Update (07.07.2019)

©2019 Lapp Group - Technical changes reserved

Product Management [www.lappkabel.de](http://www.lappkabel.de)

You can find the current technical data in the corresponding data sheet.

PN 0456 / 02\_03.16