

EPIC® H-B 10 TS

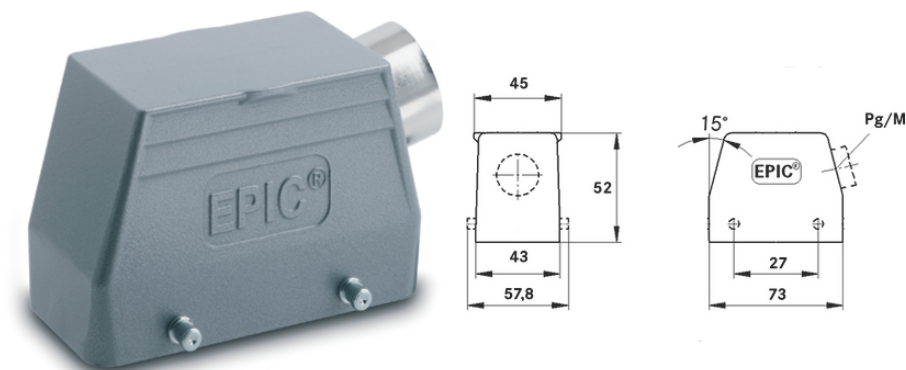
Housing design H-B. The industry standard.

The robust low metal housing has a side cable entry, pivots for a double lever and is supplied with a neck.

Info

Non-slip ridges for comfortable disconnecting

Protection rating UL50E tested



Supplementary automation components from Lapp



Mechanical and plant engineering



Mechanical resistance



Robust



Waterproof

Benefits

The smallest housing with single and double lever. The right housing is available for every application

Application range

Plant engineering

Light & sound technology

Plastics industry

Product features

Hood, low version

Last Update (25.05.2023)

©2023 Lapp Group - Technical changes reserved

Product Management www.lappkabel.de

You can find the current technical data in the corresponding data sheet.

PN 0456 / 02_03.16

EPIC® H-B 10 TS

Bolts for double lever
Side cable entry
Versions with neck

Technical Data

Classification ETIM 5:	ETIM 5.0 Class-ID: EC000437 ETIM 5.0 Class-Description: Housing for industrial connectors
Classification ETIM 6:	ETIM 6.0 Class-ID: EC000437 ETIM 6.0 Class-Description: Housing for industrial connectors
Material:	Housing: powder-coated aluminium alloy, grey Lever: zinc-plated steel Sealing: NBR
Protection rating:	IP 65 (latched) NEMA 250, UL50E: 12, 4 (latched)
VDE-tested:	Certified production control: VDE-REG. no.: B437 UL-tested: UL File Number: E75770
Temperature range:	-40°C to +100°C, short-term up to +125°C

Note

Photographs and graphics are not to scale and do not represent detailed images of the respective products.
Prices are net prices without VAT and surcharges. Sale to business customers only.

EPIC® H-B 10 TS

Article number	Article description	M	PG	Neck	Pieces / PU
H-B housing: hood (side cable entry, bolts for double lever)					
10042000	H-B 10 TS 16	-	16	yes	10
10042100	H-B 10 TS 21	-	21	yes	10
19042000	H-B 10 TS M20	20	-	yes	10
19042100	H-B 10 TS M25	25	-	yes	10

Last Update (25.05.2023)

©2023 Lapp Group - Technical changes reserved

Product Management www.lappkabel.de

You can find the current technical data in the corresponding data sheet.
PN 0456 / 02_03_16