

EPIC® H-B 16 TGBH

Housing design H-B. The industry standard.

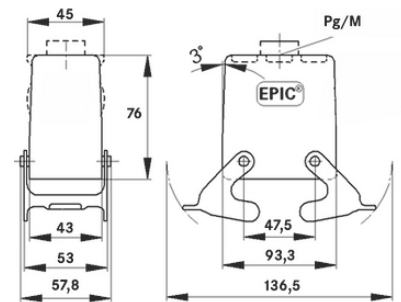
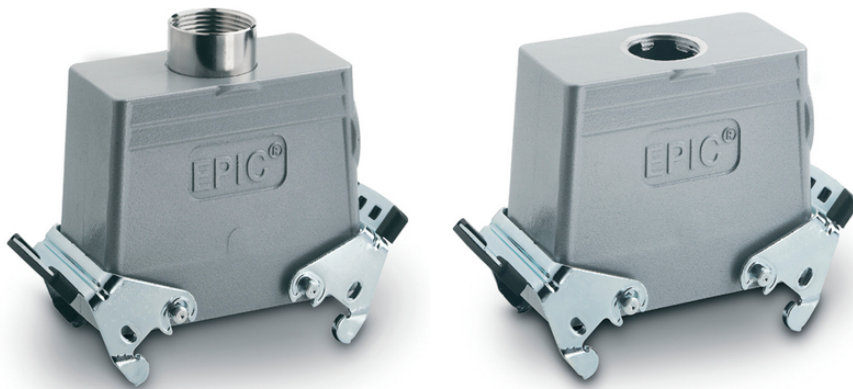
The robust metal housing for rectangular connectors consists of a direct cable entry and 2 double levers. It is suitable for use in investment construction.

Info

More interior space for wiring

For connection with counterpart with integrated cover

Protection rating UL50E tested



Supplementary automation components from Lapp



Mechanical and plant engineering



Mechanical resistance



Robust



Waterproof

Benefits

The housing standard. Wide choice for all applications

Double lever version with 2 levers for increased safety

Application range

Plant engineering

Light & sound technology

Plastics industry

Last Update (19.07.2024)

©2024 Lapp Group - Technical changes reserved

Product Management www.lappkabel.de

You can find the current technical data in the corresponding data sheet.

PN 0456 / 02_03.16

EPIC® H-B 16 TGBH

Product features

Hood, high version
Dual levers
Straight cable entry
Versions with / without neck

Technical Data

Classification ETIM 5:	ETIM 5.0 Class-ID: EC000437 ETIM 5.0 Class-Description: Housing for industrial connectors
Classification ETIM 6:	ETIM 6.0 Class-ID: EC000437 ETIM 6.0 Class-Description: Housing for industrial connectors
Material:	Housing: powder-coated aluminium alloy, grey Lever: zinc-plated steel Sealing: NBR
Protection rating:	IP 65 (latched)
VDE-tested:	Certified production control: VDE-REG. no.: B437 UL-tested: UL File Number: E75770
Temperature range:	-40°C to +100°C, short-term up to +125°C

Note

Photographs and graphics are not to scale and do not represent detailed images of the respective products.
Prices are net prices without VAT and surcharges. Sale to business customers only.

EPIC® H-B 16 TGBH

Article number	Article description	M	PG	Neck	Packaging unit
H-B housing: hood (straight cable entry, double lever, high version)					
70105200	H-B 16TGBH 21	-	21	yes	5
70105400	H-B 16TGBH 29	-	29	yes	5
79105200	H-B 16TGBH M25	25	-	-	5
79105400	H-B 16TGBH M32	32	-	-	5

Last Update (19.07.2024)

©2024 Lapp Group - Technical changes reserved

Product Management www.lappkabel.de

You can find the current technical data in the corresponding data sheet.
PN 0456 / 02_03_16