

## EPIC® H-B 16 TS

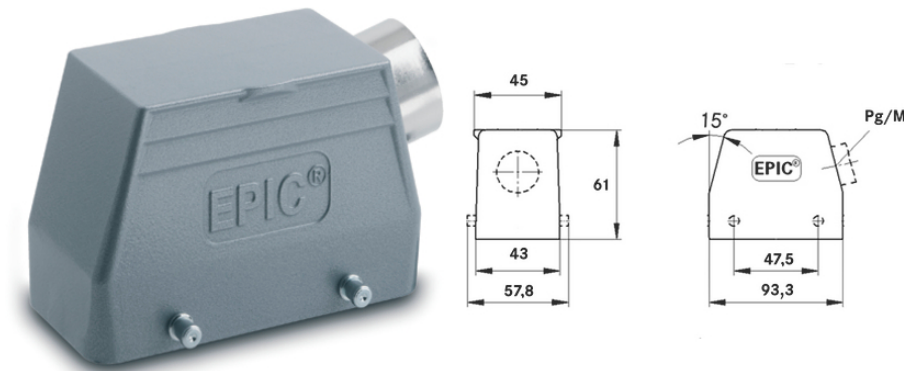
Housing design H-B. The industry standard.

The robust metal housing for use in investment construction contains the pivots for a direct lever and a side cable entry.

### Info

Non-slip ridges for comfortable disconnecting

Protection rating UL50E tested



Supplementary automation components from Lapp



Mechanical and plant engineering



Mechanical resistance



Robust



Waterproof

### Benefits

The housing standard. Wide choice for all applications

### Application range

Plant engineering

Light & sound technology

Plastics industry

### Product features

Hood, low version

Last Update (26.07.2024)

©2024 Lapp Group - Technical changes reserved

Product Management [www.lappkabel.de](http://www.lappkabel.de)

You can find the current technical data in the corresponding data sheet.

PN 0456 / 02\_03.16

## EPIC® H-B 16 TS

Bolts for double lever  
Side cable entry  
Versions with neck

### Technical Data

Classification ETIM 5:	ETIM 5.0 Class-ID: EC000437 ETIM 5.0 Class-Description: Housing for industrial connectors
Classification ETIM 6:	ETIM 6.0 Class-ID: EC000437 ETIM 6.0 Class-Description: Housing for industrial connectors
Material:	Housing: powder-coated aluminium alloy, grey Lever: zinc-plated steel Sealing: NBR
Protection rating:	IP 65 (latched) Protection rating UL50E tested
VDE-tested:	Certified production control: VDE-REG. no.: B437 UL-tested: UL File Number: E75770
Temperature range:	-40°C to +100°C, short-term up to +125°C

### Note

Photographs and graphics are not to scale and do not represent detailed images of the respective products.  
Prices are net prices without VAT and surcharges. Sale to business customers only.

**EPIC® H-B 16 TS**

Article number	Article description	M	PG	Neck	Packaging unit
H-B housing: hood (side cable entry, bolts for double lever)					
10082000	H-B 16 TS 21	-	21	yes	5
10092000	H-B 16 TS 29	-	29	yes	5
19082000	H-B 16 TS M25	25	-	yes	5
19092000	H-B 16 TS M32	32	-	yes	5

Last Update (26.07.2024)

©2024 Lapp Group - Technical changes reserved

Product Management [www.lappkabel.de](http://www.lappkabel.de)

You can find the current technical data in the corresponding data sheet.

PN 0456 / 02\_03\_16