

## EPIC® H-B 24 SGRH-LB

Housing design H-B. The industry standard.

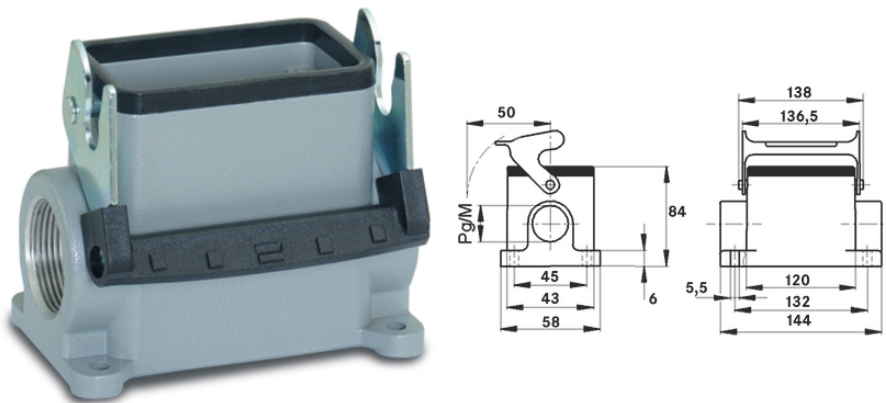
The robust metal housing with a single lever and a cable entry is ideal for use in lighting and sound systems.






### Info

More interior space for wiring

Single Lever version for quick locking and simple unlocking with lifting aid

Protection rating UL50E tested



-  Supplementary automation components from Lapp
-  Mechanical and plant engineering
-  Mechanical resistance
-  Robust
-  Waterproof

### Benefits

Safe fixing with 4 screws

Casted neck for easy assembly of the cable gland

### Application range

Plant engineering

Light & sound technology

Plastics industry

Last Update (19.02.2026)

©2026 Lapp Group - Technical changes reserved

Product Management [www.lappkabel.de](http://www.lappkabel.de)

You can find the current technical data in the corresponding data sheet.

PN 0456 / 02\_03.16

## EPIC® H-B 24 SGRH-LB

### Product features

Surface-mount base, high version  
Single lever  
1 cable entry

### Technical Data

Classification ETIM 5:	ETIM 5.0 Class-ID: EC000437 ETIM 5.0 Class-Description: Housing for industrial connectors
Classification ETIM 6:	ETIM 6.0 Class-ID: EC000437 ETIM 6.0 Class-Description: Housing for industrial connectors
Material:	Housing: powder-coated aluminium alloy, grey Lever: zinc-plated steel Sealing: NBR
Protection rating:	IP 65 (latched) NEMA 250, UL50E: 12 (latched)
VDE-tested:	Certified production control: VDE-REG. no.: B437 UL-tested: UL File Number: E75770
Temperature range:	-40°C to +100°C, short-term up to +125°C

### Note

Photographs and graphics are not to scale and do not represent detailed images of the respective products.  
Prices are net prices without VAT and surcharges. Sale to business customers only.



## EPIC® H-B 24 SGRH-LB

Article number	Article description	M	PG	Packaging unit
H-B housing: surface-mount base (1 cable entry, single lever, high version)				
70160200	H-B 24 SGRH-LB 21	-	21	5
70160400	H-B 24 SGRH-LB 29	-	29	5
79160200	H-B 24 SGRH-LB M25	25	-	5
79160400	H-B 24 SGRH-LB M32	32	-	5

Last Update (19.02.2026)

©2026 Lapp Group - Technical changes reserved

Product Management [www.lappkabel.de](http://www.lappkabel.de)

You can find the current technical data in the corresponding data sheet.

PN 0456 / 02\_03\_16