

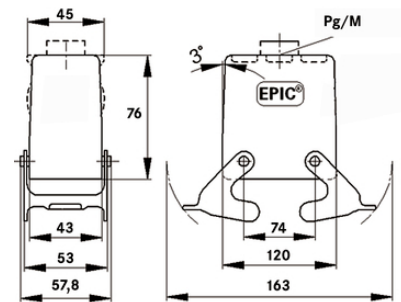
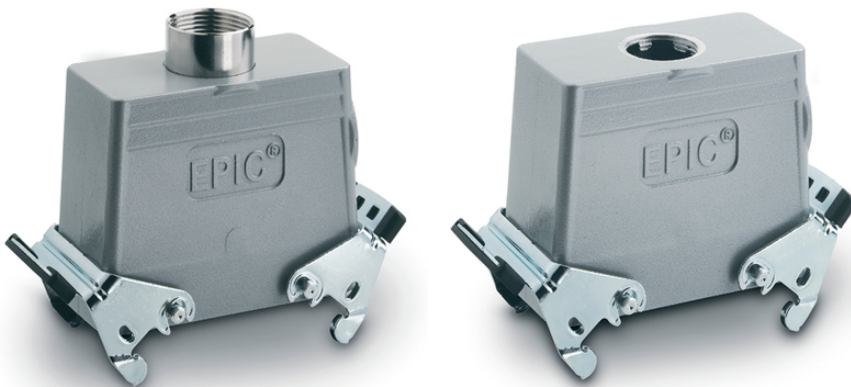
EPIC® H-B 24 TGBH

Housing design H-B. The industry standard.

The universal metal housing for rectangular connectors can not only be used in investment construction. It has 2 double levers and a direct cable entry.

Info

Non-slip ridges for comfortable disconnecting
 For connection with counterpart with integrated cover
 Protection rating UL50E tested



Supplementary automation components from Lapp



Mechanical and plant engineering



Mechanical resistance



Robust



Waterproof

Benefits

Ideal for many applications due to a wide range of housings and inserts
 More interior space for wiring

Application range

Plant engineering
 Light & sound technology
 Plastics industry

Last Update (16.02.2020)

©2020 Lapp Group - Technical changes reserved

Product Management www.lappkabel.de

You can find the current technical data in the corresponding data sheet.

PN 0456 / 02_03.16

EPIC® H-B 24 TGBH

Product features

Hood, high version
Dual levers
Straight cable entry
Versions with / without neck

Technical Data

Classification ETIM 5:	ETIM 5.0 Class-ID: EC000437 ETIM 5.0 Class-Description: Housing for industrial connectors
Classification ETIM 6:	ETIM 6.0 Class-ID: EC000437 ETIM 6.0 Class-Description: Housing for industrial connectors
Material:	Housing: powder-coated aluminium alloy, grey Lever: zinc-plated steel Sealing: NBR
Protection rating:	IP 65 (latched) NEMA 250, UL50E: 12, 4 (latched)
VDE-tested:	Certified production control: VDE-REG. no.: B437 UL-tested: UL File Number: E75770
Temperature range:	-40°C to +100°C, short-term up to +125°C

Note

Photographs and graphics are not to scale and do not represent detailed images of the respective products.
Prices are net prices without VAT and surcharges. Sale to business customers only.

EPIC® H-B 24 TGBH

Article number	Article description	M	PG	Neck	Pieces / PU
H-B housing: hood (straight cable entry, double lever, high version)					
70155400	H-B 24 TGBH 21	-	21	yes	5
70155600	H-B 24 TGBH 29	-	29	yes	5
79155400	H-B 24 TGBH M25	25	-	-	5
79155600	H-B 24 TGBH M32	32	-	-	5

Last Update (16.02.2020)

©2020 Lapp Group - Technical changes reserved

Product Management www.lappkabel.de

You can find the current technical data in the corresponding data sheet.

PN 0456 / 02_03.16