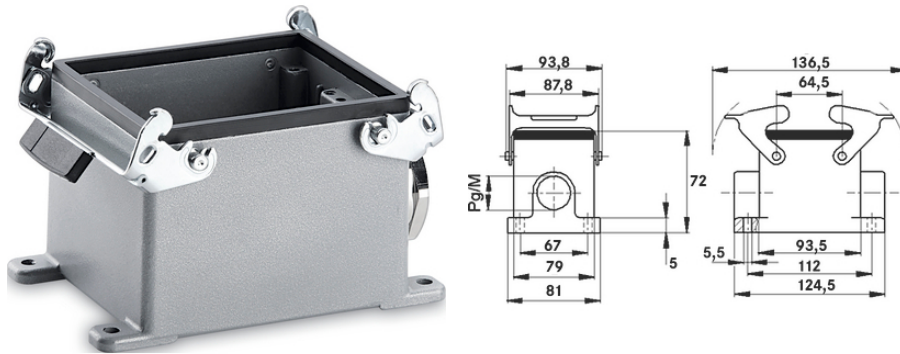


## EPIC® H-B 32 SGR

Housing design H-B for 2 inserts.

The base housing, 2 double levers and a cable entry form the connector housing, which is ideal for use in control systems.



### Benefits

Two inserts in one housing. With two levers for high safety

M40 housing extension on M50 with SKINTOP 53112083 possible (clamping range 27 - 35 mm)

### Application range

Plant engineering  
Control engineering  
Plastics industry

### Product features

Surface-mount base  
Dual levers  
1 cable entry

### Technical Data

Classification ETIM 5:

ETIM 5.0 Class-ID: EC000437

ETIM 5.0 Class-Description: Housing for industrial connectors

Classification ETIM 6:

ETIM 6.0 Class-ID: EC000437

ETIM 6.0 Class-Description: Housing for industrial connectors

Material:

Housing: powder-coated aluminium alloy, grey

Lever: zinc-plated steel

Sealing: NBR

Protection rating:

IP 65 (latched)

Temperature range:

-40°C to +100°C, short-term up to +125°C

### Note

Photographs and graphics are not to scale and do not represent detailed images of the respective products.

Last Update (16.07.2024)

©2024 Lapp Group - Technical changes reserved

Product Management [www.lappkabel.de](http://www.lappkabel.de)

You can find the current technical data in the corresponding data sheet.

PN 0456 / 02\_03.16

**EPIC® H-B 32 SGR**

Prices are net prices without VAT and surcharges. Sale to business customers only.

**EPIC® H-B 32 SGR**

Article number	Article description	M	PG	Packaging unit
H-B housing: surface-mount base (1 cable entry, double lever)				
10137000	H-B 32 SGR 29	-	29	5
19137000	H-B 32 SGR M32	32	-	5
19146400	H-B 32 SGR M40	40	-	5

Last Update (16.07.2024)

©2024 Lapp Group - Technical changes reserved

Product Management [www.lappkabel.de](http://www.lappkabel.de)

You can find the current technical data in the corresponding data sheet.

PN 0456 / 02\_03\_16