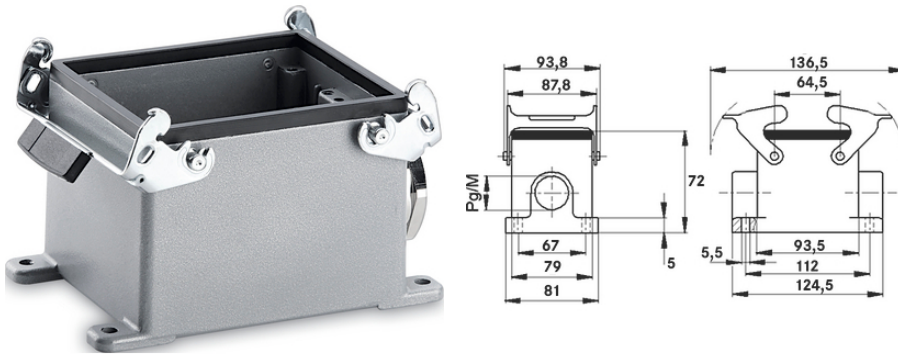


EPIC® H-B 32 SGRL

Housing design H-B for 2 inserts.

This connector housing with 2 double levers and 2 cable entries can be used in investment construction and the plastics industry.



Benefits

Two inserts in one housing. With two levers for high safety

M40 housing extension on M50 with SKINTOP 53112083 possible (clamping range 27 - 35 mm)

Application range

Plant engineering
Control engineering
Plastics industry

Product features

Surface-mount base
Dual levers
2 cable entries

Technical Data

Classification ETIM 5:

ETIM 5.0 Class-ID: EC000437

ETIM 5.0 Class-Description: Housing for industrial connectors

Classification ETIM 6:

ETIM 6.0 Class-ID: EC000437

ETIM 6.0 Class-Description: Housing for industrial connectors

Material:

Housing: powder-coated aluminium alloy, grey

Lever: zinc-plated steel

Sealing: NBR

Protection rating:

IP 65 (latched)

Temperature range:

-40°C to +100°C, short-term up to +125°C

Note

Photographs and graphics are not to scale and do not represent detailed images of the respective products.

Last Update (06.06.2023)

©2023 Lapp Group - Technical changes reserved

Product Management www.lappkabel.de

You can find the current technical data in the corresponding data sheet.

PN 0456 / 02_03.16

EPIC® H-B 32 SGRL

Prices are net prices without VAT and surcharges. Sale to business customers only.

EPIC® H-B 32 SGRL

| Article number | Article description | M | PG | Pieces / PU |
|---|---------------------|----|----|-------------|
| H-B housing: surface-mount base (2 cable entries, double lever) | | | | |
| 10138000 | H-B 32 SGRL 29 | - | 29 | 5 |
| 19138000 | H-B 32 SGRL M32 | 32 | - | 5 |
| 19145400 | H-B 32 SGRL M40 | 40 | - | 5 |

Last Update (06.06.2023)

©2023 Lapp Group - Technical changes reserved

Product Management www.lappkabel.de

You can find the current technical data in the corresponding data sheet.

PN 0456 / 02_03_16