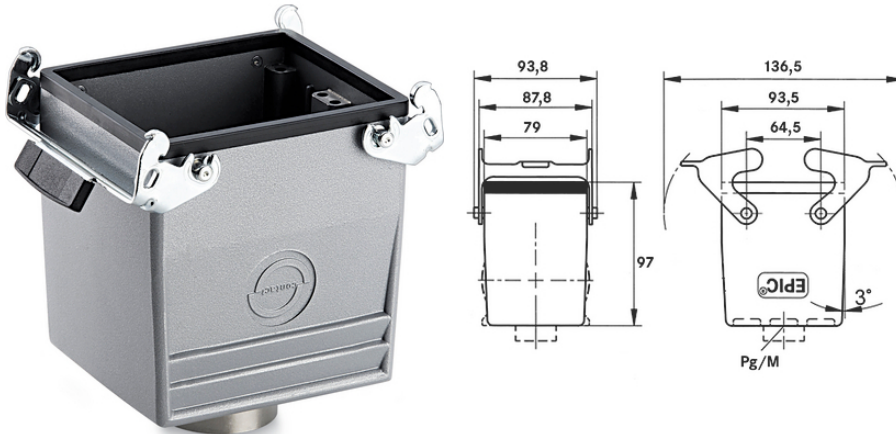


## EPIC® H-B 32 TBF

Housing design H-B for 2 inserts.

The connector housing ensures a high level of safety thanks to the two levers. Furthermore, it comprises a cable coupler hood and a direct cable entry.



### Benefits

Two inserts in one housing. With two levers for high safety

### Application range

Plant engineering  
Control engineering  
Plastics industry

### Product features

Cable coupler hood  
Dual levers  
Straight cable entry  
Versions with / without neck

### Technical Data

Classification ETIM 5:

ETIM 5.0 Class-ID: EC000437

ETIM 5.0 Class-Description: Housing for industrial connectors

Material:

Housing: powder-coated aluminium alloy, grey  
Lever: zinc-plated steel  
Sealing: NBR

Protection rating:

IP 65 (latched)

Temperature range:

-40°C to +100°C, short-term up to +125°C

### Note

Photographs and graphics are not to scale and do not represent detailed images of the respective products. Prices are net prices without VAT and surcharges. Sale to business customers only.

Last Update (28.05.2023)

©2023 Lapp Group - Technical changes reserved

Product Management [www.lappkabel.de](http://www.lappkabel.de)

You can find the current technical data in the corresponding data sheet.

PN 0456 / 02\_03.16

**EPIC® H-B 32 TBF**

Article number	Article description	M	PG	Neck	Pieces / PU
H-B housing: cable coupler hood (straight cable entry, double lever)					
10139500	H-B 32 TBF 29	-	29	yes	5
19139500	H-B 32 TBF M32	32	-	-	5

Last Update (28.05.2023)

©2023 Lapp Group - Technical changes reserved

Product Management [www.lappkabel.de](http://www.lappkabel.de)

You can find the current technical data in the corresponding data sheet.

PN 0456 / 02\_03.16