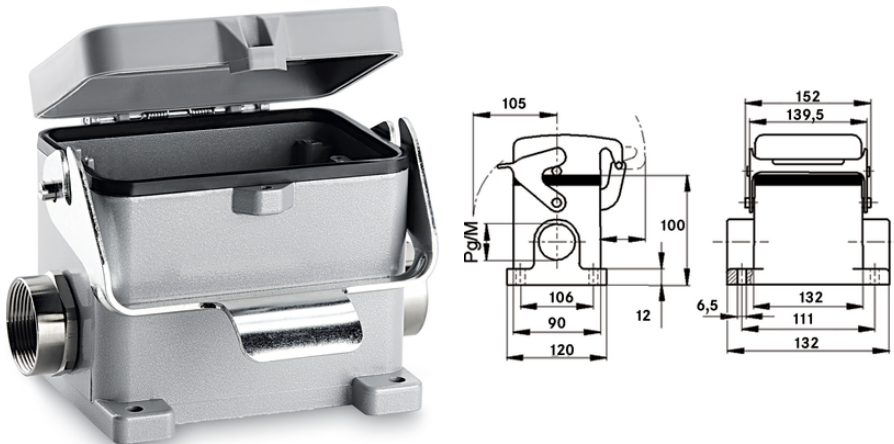


## EPIC® H-B 48 SDR-LB

Housing design H-B for 2 inserts.

The large housing for the placement of two inserts consists of a single lever, a cable entry and a thermoplastic cap.



### Benefits

The large, robust housing for two inserts in one connector. Power and data in a single connector

### Application range

Plant engineering  
Plastics industry

### Product features

Surface-mount base  
Single lever  
1 cable entry  
Plastic cover

### Technical Data

Classification ETIM 5:

ETIM 5.0 Class-ID: EC000437

ETIM 5.0 Class-Description: Housing for industrial connectors

Classification ETIM 6:

ETIM 6.0 Class-ID: EC000437

ETIM 6.0 Class-Description: Housing for industrial connectors

Material:

Housing: powder-coated aluminium alloy, grey

Lever: zinc-plated steel

Sealing: NBR

Protection rating:

IP 65 (latched)

Temperature range:

-40°C to +100°C, short-term up to +125°C

### Note

Photographs and graphics are not to scale and do not represent detailed images of the respective products. Prices are net prices without VAT and surcharges. Sale to business customers only.

**EPIC® H-B 48 SDR-LB**

Article number	Article description	M	PG	Pieces / PU
H-B housing: surface-mount base (cover, 1 cable entry, single lever)				
10167000	H-B 48 SDR 29	-	29	1
10167100	H-B 48 SDR 36	-	36	1
19167000	H-B 48 SDR M32	32	-	1
19167100	H-B 48 SDR M40	40	-	1

Last Update (05.07.2019)

©2019 Lapp Group - Technical changes reserved

Product Management [www.lappkabel.de](http://www.lappkabel.de)You can find the current technical data in the corresponding data sheet.  
PN 0456 / 02\_03.16