

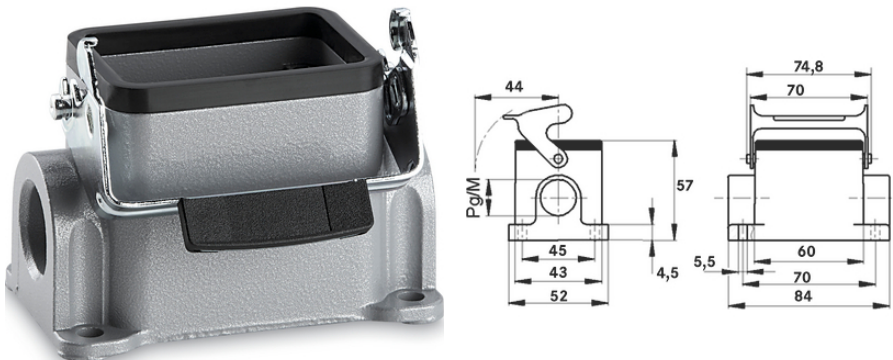
## EPIC® H-B 6 SGR-LB






Housing design H-B. The industry standard.

The universal low base housing has a cable entry and a single lever and is ideal for use in investment construction.

### Info

Protection rating UL50E tested



-  Supplementary automation components from Lapp
-  Mechanical and plant engineering
-  Mechanical resistance
-  Robust
-  Waterproof

### Benefits

The smallest housing out of the H-B series. For inserts with high electrical properties

### Application range

Plant engineering  
Control engineering  
Plastics industry

### Product features

Surface-mount base, low version  
Single lever  
1 cable entry

Last Update (18.01.2026)

©2026 Lapp Group - Technical changes reserved

Product Management [www.lappkabel.de](http://www.lappkabel.de)

You can find the current technical data in the corresponding data sheet.

PN 0456 / 02\_03.16

## EPIC® H-B 6 SGR-LB

### Technical Data

Classification ETIM 5:	ETIM 5.0 Class-ID: EC000437 ETIM 5.0 Class-Description: Housing for industrial connectors
Classification ETIM 6:	ETIM 6.0 Class-ID: EC000437 ETIM 6.0 Class-Description: Housing for industrial connectors
Material:	Housing: powder-coated aluminium alloy, grey Lever: zinc-plated steel Sealing: NBR
Protection rating:	IP 65 (latched) NEMA 250, UL50E: 12, 4 (latched)
VDE-tested:	Certified production control: VDE-REG. no.: B437 UL-tested: UL File Number: E75770
Temperature range:	-40°C to +100°C, short-term up to +125°C

### Note

Photographs and graphics are not to scale and do not represent detailed images of the respective products. Prices are net prices without VAT and surcharges. Sale to business customers only.



## EPIC® H-B 6 SGR-LB

Article number	Article description	M	Packaging unit
19005000	H-B 6 SGR M20	20	10
79005600	H-B 6 SGR M25	25	10

Last Update (18.01.2026)

©2026 Lapp Group - Technical changes reserved

Product Management [www.lappkabel.de](http://www.lappkabel.de)

You can find the current technical data in the corresponding data sheet.

PN 0456 / 02\_03\_16