

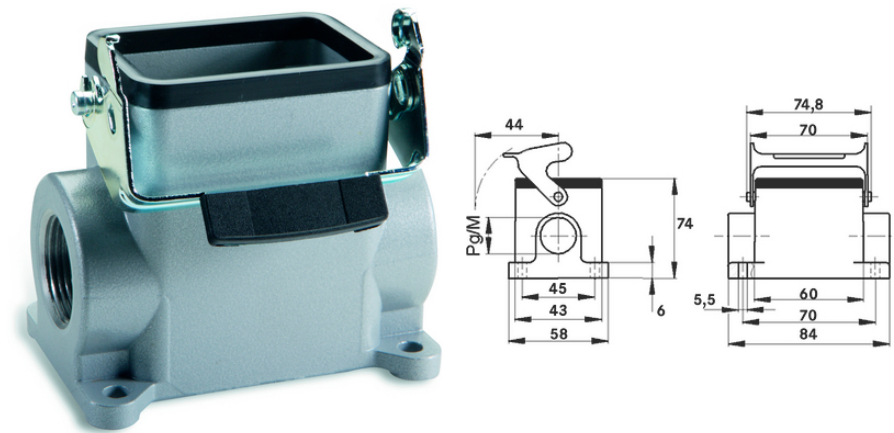
EPIC® H-B 6 SGRH-LB

Housing design H-B. The industry standard.

The metal housing is the smallest body in the H-B series and is suitable, for example, for control systems. The high housing has 1 cable entry.

Info

More interior space for wiring
Protection rating UL50E tested



Supplementary automation components from Lapp



Mechanical and plant engineering



Mechanical resistance



Robust



Waterproof

Benefits

The smallest housing out of the H-B series. For inserts with high electrical properties

Application range

Plant engineering
Control engineering
Plastics industry

Product features

Surface-mount base, high version

Last Update (12.07.2024)

©2024 Lapp Group - Technical changes reserved

Product Management www.lappkabel.de

You can find the current technical data in the corresponding data sheet.

PN 0456 / 02_03.16

EPIC® H-B 6 SGRH-LB

Single lever
1 cable entry

Technical Data

Classification ETIM 5:	ETIM 5.0 Class-ID: EC000437 ETIM 5.0 Class-Description: Housing for industrial connectors
Classification ETIM 6:	ETIM 6.0 Class-ID: EC000437 ETIM 6.0 Class-Description: Housing for industrial connectors
Material:	Housing: powder-coated aluminium alloy, grey Lever: zinc-plated steel Sealing: NBR
Protection rating:	IP 65 (latched) NEMA 250, UL50E: 12, 4 (latched)
VDE-tested:	Certified production control: VDE-REG. no.: B437 UL-tested: UL File Number: E75770
Temperature range:	-40°C to +100°C, short-term up to +125°C

Note

Photographs and graphics are not to scale and do not represent detailed images of the respective products. Prices are net prices without VAT and surcharges. Sale to business customers only.

EPIC® H-B 6 SGRH-LB

Article number	Article description	M	PG	Packaging unit
H-B housing: surface-mount base (1 cable entry, single lever, high version)				
70005200	H-B 6 SGRH-LB 21	-	21	10
70005400	H-B 6 SGRH-LB 29	-	29	10
79005200	H-B 6 SGRH-LB M25	25	-	10
79005400	H-B 6 SGRH-LB M32	32	-	10

Last Update (12.07.2024)

©2024 Lapp Group - Technical changes reserved

Product Management www.lappkabel.de

You can find the current technical data in the corresponding data sheet.

PN 0456 / 02_03_16