

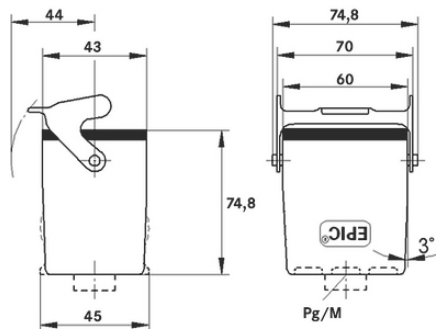
EPIC® H-B 6 TBFH-LB

Housing design H-B. The industry standard.

The robust high metal housing has a direct cable entry and is suitable for use with inserts with outstanding electrical properties.

Info

More interior space for wiring
Protection rating UL50E tested



Supplementary automation components from Lapp



Mechanical and plant engineering



Mechanical resistance



Robust



Waterproof

Benefits

The smallest housing out of the H-B series. For inserts with high electrical properties

Application range

Plant engineering
Control engineering
Plastics industry

Product features

Cable coupler hood, high version
Single lever

Last Update (13.12.2022)

©2022 Lapp Group - Technical changes reserved

Product Management www.lappkabel.de

You can find the current technical data in the corresponding data sheet.

PN 0456 / 02_03.16

EPIC® H-B 6 TBFH-LB

Straight cable entry
Versions with / without neck

Technical Data

| | |
|------------------------|--|
| Classification ETIM 5: | ETIM 5.0 Class-ID: EC000437 ETIM 5.0 Class-Description: Housing for industrial connectors |
| Classification ETIM 6: | ETIM 6.0 Class-ID: EC000437 ETIM 6.0 Class-Description: Housing for industrial connectors |
| Material: | Housing: powder-coated aluminium alloy, grey Lever: zinc-plated steel Sealing: NBR |
| Protection rating: | IP 65 (latched) NEMA 250, UL50E: 12, 4 (latched) |
| VDE-tested: | Certified production control: VDE-REG. no.: B437 UL-tested: UL File Number: E75770 |
| Temperature range: | -40°C to +100°C, short-term up to +125°C |

Note

Photographs and graphics are not to scale and do not represent detailed images of the respective products.
Prices are net prices without VAT and surcharges. Sale to business customers only.

EPIC® H-B 6 TBFH-LB

| Article number | Article description | M | PG | Neck | Pieces / PU |
|--|---------------------|----|----|------|-------------|
| H-B housing: cable coupler hood (1 straight cable entry, single lever, high version) | | | | | |
| 70010200 | H-B 6 TBFH 21 | - | 21 | yes | 10 |
| 70010400 | H-B 6 TBFH 29 | - | 29 | yes | 10 |
| 79010200 | H-B 6 TBFH M25 | 25 | - | - | 10 |

Last Update (13.12.2022)

©2022 Lapp Group - Technical changes reserved

Product Management www.lappkabel.de

You can find the current technical data in the corresponding data sheet.

PN 0456 / 02_03_16